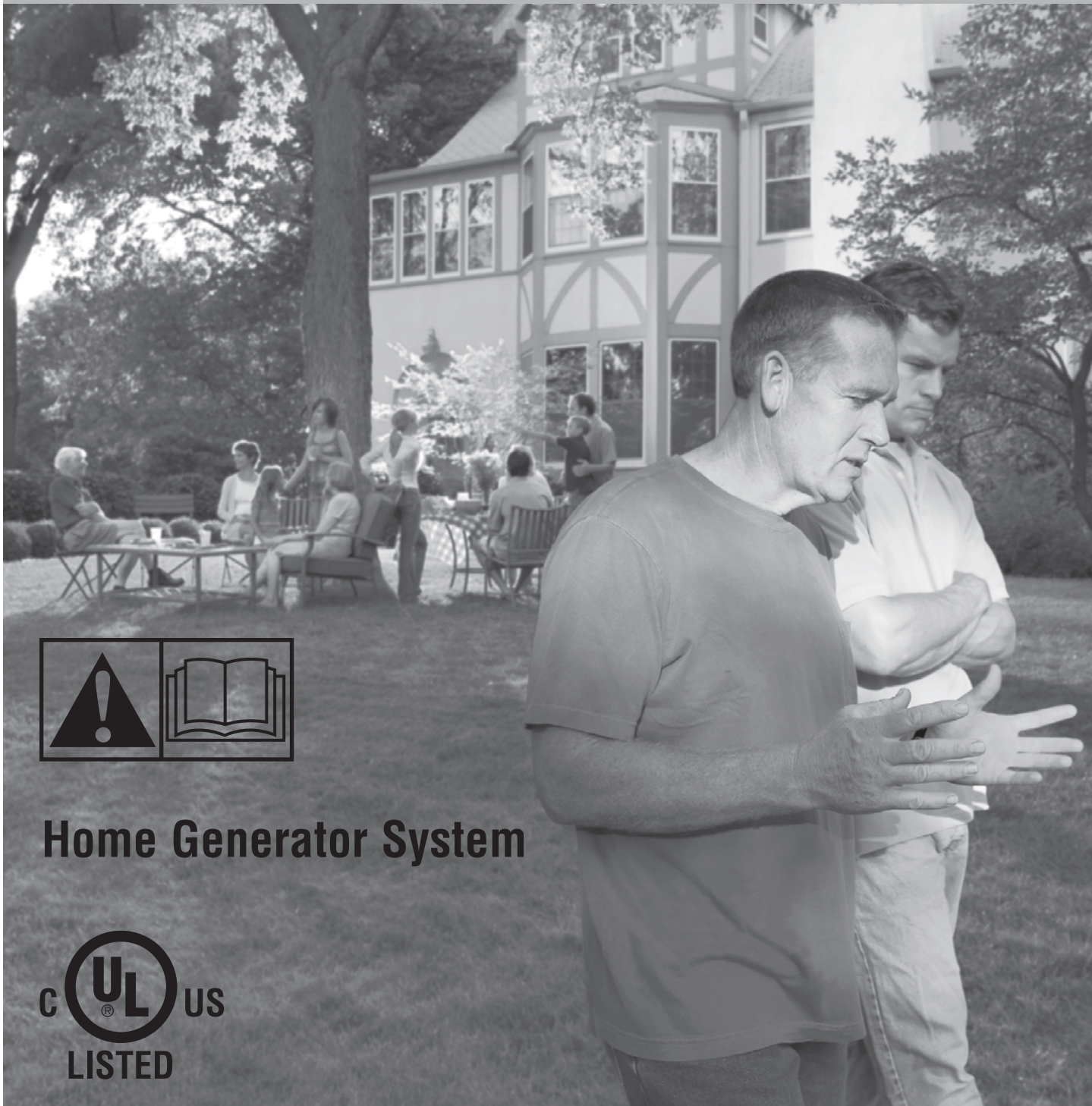




Generator Systems

Operator's Manual



Home Generator System



Thank you for purchasing this quality-built Briggs & Stratton home generator. We're pleased that you've placed your confidence in the Briggs & Stratton brand. When operated and maintained according to the instructions in this manual, your home generator will provide many years of dependable service.

This manual contains safety information to make you aware of the hazards and risks associated with home standby generators and how to avoid them. Because we do not necessarily know all the applications this equipment could be used for, it is important that you read and understand these instructions thoroughly before attempting to start or operate this equipment. **Save these original instructions for future reference.**

This home generator requires professional installation before use. Refer to the separate installation manual for full information. Your installer should follow the instructions completely.

Where to Find Us

You never have to look far to find Briggs & Stratton support and service for your generator. Consult your Yellow Pages. There are thousands of Briggs & Stratton authorized service dealers worldwide who provide quality service. You can also contact Technical Service by phone at **800 743-4115**, or click on Find a Dealer at BRIGGSandSTRATTON.COM, which provides a list of authorized dealers.

Generator and engine model and serial numbers should be recorded in the installation manual.

Not for
Reproduction

Briggs & Stratton Power Products Group, LLC
P.O. Box 702
Milwaukee, WI 53201-0702

Copyright © 2013. All rights reserved. No part of this material may be reproduced or transmitted in any form without the express written permission of Briggs & Stratton Power Products Group, LLC.

Table of Contents

Important Safety Instructions	4
Installation	7
Owner Orientation	7
Fuel Factors	8
Delivery Inspection	10
Controls	11
Access Panels	13
System Control Panel	15
Operation	19
Engine Oil	19
Battery	19
15 Amp Fuse	19
Automatic Operation Sequence	19
Maintenance	20
Service Code Detection System	20
Generator Maintenance	23
Engine Maintenance	25
Troubleshooting	29
Warranty	32
Limited Warranty	32
Warranty Period	32
About Your Warranty	33
Generator Specifications	34
Engine Specifications	34
Common Service Parts	34

Save These Instructions

Important Safety Instructions

SAVE THESE INSTRUCTIONS - This manual contains important instructions that should be followed during installation and maintenance of the generator and batteries.

Safety Symbols and Meanings



Explosion



Fire



Electrical Shock



Toxic Fumes



Rotating Parts



Hot Surface



Auto Start



Explosive Pressure



Chemical Burn



Lift Hazard



Read Manual

▲ The safety alert symbol indicates a potential personal injury hazard. A signal word (DANGER, WARNING, or CAUTION) is used with the alert symbol to designate a degree or level of hazard seriousness. A safety symbol may be used to represent the type of hazard. The signal word NOTICE is used to address practices not related to personal injury.

▲ DANGER indicates a hazard which, if not avoided, *will* result in death or serious injury.

▲ WARNING indicates a hazard which, if not avoided, *could* result in death or serious injury.

▲ CAUTION indicates a hazard which, if not avoided, *could* result in minor or moderate injury.

NOTICE addresses practices not related to personal injury.

The manufacturer cannot possibly anticipate every possible circumstance that might involve a hazard. The warnings in this manual, and the tags and decals affixed to the unit are, therefore, not all-inclusive. If you use a procedure, work method or operating technique that the manufacturer does not specifically recommend, you must satisfy yourself that it is safe for you and others. You must also make sure that the procedure, work method or operating technique that you choose does not render the generator system unsafe.

▲ WARNING Running engine gives off carbon monoxide, an odorless, colorless, poison gas.



Breathing carbon monoxide could result in death, serious injury, headache, fatigue, dizziness, vomiting, confusion, seizures, nausea or fainting.

- Operate this product **ONLY** outdoors in an area that will not accumulate deadly exhaust gas.
- Keep exhaust gas away from any windows, doors, ventilation intakes, soffit vents, crawl spaces, open garage doors or other openings that can allow exhaust gas to enter inside or be drawn into a potentially occupied building or structure.
- Carbon monoxide detector(s) **MUST** be installed and maintained indoors according to the manufacturer's instructions/recommendations. Smoke alarms cannot detect carbon monoxide gas.

▲ WARNING The engine exhaust from this product contains chemicals known to the State of California to cause cancer, birth defects, or other reproductive harm.

▲ WARNING Certain components in this product and related accessories contain chemicals known to the State of California to cause cancer, birth defects, or other reproductive harm. Wash hands after handling.

▲ WARNING Storage batteries give off explosive hydrogen gas during recharging.



Slightest spark will ignite hydrogen and cause explosion, resulting in death, serious injury, and/or


property damage.

Battery electrolyte fluid contains acid and is extremely caustic.

Contact with battery contents will cause severe chemical burns.


A battery presents a risk of electrical shock and high short circuit current.

- DO NOT dispose of battery in a fire. Recycle battery.
- DO NOT allow any open flame, spark, heat, or lit cigarette during and for several minutes after charging a battery.
- DO NOT open or mutilate the battery.
- Wear protective goggles, rubber apron, rubber boots and rubber gloves.
- Remove watches, rings, or other metal objects.
- Use tools having insulated handles.


 **WARNING** Generator produces hazardous voltage. Failure to properly ground generator could result in electrocution.

Failure to isolate generator from utility power could result in death or serious injury to electric utility workers due to backfeed of electrical energy.

- When using generator for backup power, notify utility company.
- DO NOT touch bare wires or bare receptacles.
- DO NOT use generator with electrical cords which are worn, frayed, bare or otherwise damaged.
- DO NOT handle generator or electrical cords while standing in water, while barefoot, or while hands or feet are wet.
- If you must work around a unit while it is operating, stand on an insulated dry surface to reduce the risk of a shock hazard.
- DO NOT allow unqualified persons or children to operate or service generator.
- In case of an accident caused by electrical shock, immediately shut down the source of electrical power and contact the local authorities. **Avoid direct contact with the victim.**
- Despite the safe design of the generator, operating this equipment imprudently, neglecting its maintenance or being careless can cause possible injury or death.
- Remain alert at all times while working on this equipment. Never work on the equipment when you are physically or mentally fatigued.
- Before performing any maintenance on the generator, disconnect the battery cable indicated by a **NEGATIVE, NEG** or (-) first. When finished, reconnect that cable last.
- After your system is installed, the generator may crank and start without warning any time there is a power failure. To prevent possible injury, always set the generator's system switch to **OFF**, remove the service disconnect from the disconnect box AND remove the 15 Amp fuse BEFORE working on the equipment.

 **WARNING** Propane and Natural Gas are extremely flammable and explosive, which could cause burns, fire or explosion resulting in death, serious injury and/or property damage.

- DO NOT operate the equipment if the "fuel shut-off" valve is missing or inoperative.
- Install the fuel supply system according to NFPA 37 and other applicable fuel-gas codes.
- Before placing the generator into service, the fuel system lines must be properly purged and leak tested.
- After the generator is installed, you should inspect the fuel system periodically.
- NO leakage is permitted.
- DO NOT operate engine if smell of fuel is present or other explosive conditions exist.
- DO NOT smoke around the generator. Wipe up any oil spills immediately. Ensure that no combustible materials are left in the generator compartment. Keep the area near the generator clean and free of debris.

 **WARNING** Starter and other rotating parts can entangle hands, hair, clothing, or accessories resulting in serious injury.

- NEVER operate generator without protective housings, covers, or guards in place.
- DO NOT wear loose clothing, jewelry or anything that may be caught in the starter or other rotating parts.
- Tie up long hair and remove jewelry.
- Before servicing, remove 15 Amp fuse from control panel and disconnect **Negative (NEG or -)** battery cable.

▲ WARNING Exhaust heat/gases could ignite combustibles or structures resulting in death, serious injury and/or property damage. Contact with muffler area could cause burns resulting in serious injury.



- DO NOT touch hot parts and AVOID hot exhaust gases.
- Allow equipment to cool before touching.
- Exhaust outlet side of weatherproof enclosure must have at least 5 ft. (1.5 m) minimum clearance from any structure, shrubs, trees or any kind of vegetation.
- Standby generator weatherproof enclosure must be at least 5 ft. (1.5 m) from windows, doors, any wall opening, shrubs or vegetation over 12 inches (30.5 cm) in height.
- Standby generator weatherproof enclosure must have a minimum of 5 ft. (1.5 m) overhead clearance from any structure, overhang or trees.
- DO NOT place weatherproof enclosure under a deck or other type of structure that may confine airflow.
- Use only flexible fuel line provided. Connect provided fuel line to generator, DO NOT use with or substitute any other flexible fuel line.
- Smoke detector(s) MUST be installed and maintained indoors according to the manufacturer's instructions/recommendations. Carbon monoxide alarms cannot detect smoke.
- Keep at least minimum distances shown in *General Location Guidelines* to insure for proper generator cooling and maintenance clearances.
- It is a violation of California Public Resource Code, Section 4442, to use or operate the engine on any forest-covered, brush-covered, or grass-covered land unless the exhaust system is equipped with a spark arrester, as defined in Section 4442, maintained in effective working order. Other states or federal jurisdictions may have similar laws.
Contact the original equipment manufacturer, retailer, or dealer to obtain a spark arrester designed for the exhaust system installed on this engine.
- Replacement parts must be the same and installed in the same position as the original parts.

▲ CAUTION Installing the 15A fuse could cause the engine to start at any time without warning resulting in minor or moderate injury.



- Observe that the 15 Amp fuse has been removed from the control panel for shipping.
- DO NOT install this fuse until all plumbing and wiring has been completed and inspected.

▲ CAUTION Excessively high operating speeds could result in minor injury and/or equipment damage. Excessively low speeds impose a heavy load on generator.

- DO NOT tamper with governed speed. Generator supplies correct rated frequency and voltage when running at governed speed.
- DO NOT modify generator in any way.

NOTICE Improper treatment of generator can damage it and shorten its life.

- Use generator only for intended uses.
- If you have questions about intended use, contact your authorized dealer.
- Operate generator only on level surfaces.
- Adequate, unobstructed flow of cooling and ventilating air is critical to correct generator operation.
- The Oil Fill, Oil Drain and the Control Panel doors must be installed whenever the unit is running.
- DO NOT expose generator to excessive moisture, dust, dirt, or corrosive vapors.
- Despite the safe design of the generator, operating this equipment imprudently, neglecting its maintenance or being careless can cause possible injury or death.
- Remain alert at all times while working on this equipment. Never work on the equipment when you are physically or mentally fatigued.
- DO NOT start engine with air cleaner or air cleaner cover removed.
- DO NOT insert any objects through cooling slots.
- DO NOT use the generator or any of its parts as a step. Stepping on the unit can cause stress and break parts. This may result in dangerous operating conditions from leaking exhaust gases, fuel leakage, oil leakage, etc.
- If connected devices overheat, turn them off and disconnect them from generator.

Shut off generator if:

- electrical output is lost;
- equipment sparks, smokes, or emits flames;
- unit vibrates excessively;
- unit makes unusual noises.

Installation

We sincerely appreciate your patronage. For this reason, we have made every effort to provide for a safe, streamlined and cost-effective installation. Because each installation is unique, it is impossible to know of and advise the trade of all conceivable procedures and methods by which installation might be achieved. Neither could we know of possible hazards and/or the results of each method or procedure. For these reasons,

Only current licensed electrical and plumbing professionals should attempt home generator system installations. Installations must strictly comply with all applicable codes, industry standards and regulations.

Your home generator is supplied with this "Operator's Manual" and a separate "Installation Manual". These are important documents and should be retained by the owner after the installation has been completed.

This product is only for use as an optional generator system which provides an alternate source of electric power and to serve loads such as heating, refrigeration systems, and communication systems that, when stopped during any power outage, could cause discomfort or inconvenience.

NOTICE This product does NOT qualify for either an emergency standby or legally required standby system as defined by NFPA 70 (NEC).

- Emergency generator systems are intended to automatically supply illumination, power, or both, to designated areas and equipment in the event of failure of the normal supply. Emergency systems may also provide power for such functions as ventilation where essential to maintain life, where current interruption of the normal supply would produce serious life safety or health hazards.
- Legally Required standby generator systems are intended to automatically supply power to selected loads in the event of failure of the normal source which could create hazards or hamper rescue or fire-fighting operations.

Every effort has been made to ensure that information in this manual is accurate and current. However, we reserve the right to change, alter, or otherwise improve the product and this document at any time without prior notice.

Only current licensed electrical and plumbing professionals should attempt home generator system installations. Installations must strictly comply with all applicable codes, industry standards, laws and regulations.

For the Home Owner:

To help you make informed choices and communicate effectively with your installation contractor(s), **read and understand *Owner Orientation* in this manual before contracting or starting your generator installation.**

To arrange for proper installation, contact the store at which you purchased your generator, your dealer, a licensed electrician or your utility power provider.

The generator warranty is VOID unless the system is installed by licensed electrical and plumbing professionals.

Every effort has been made to ensure that information in this manual is accurate and current. However, we reserve the right to change, alter, or otherwise improve the product and this document at any time without prior notice.

The Emission Control System for this generator is warranted for standards set by the U.S. Environmental Protection Agency and by the California Air Resources Board (CARB).

For the Installing Dealer/Contractor:

For most applications, the installation manual contains all the information required to properly install and start the generator. This operator's manual describes routine operation and owner maintenance procedures.

If you need more information in this matter, please call at 800-743-4115 between 8:00 AM and 5:00 PM CT.

Owner Orientation

This section provides generator owners with the information necessary to achieve the most satisfactory and cost effective installation possible.


The illustrations are for typical circumstances and are meant to familiarize you with the installation options available with your generator. A thorough understanding of these options will provide fundamental control over the cost of your installation, as well as ensure your final satisfaction and security.

Federal and local codes, appearance, noise levels, fuel types, and distances are the factors that must be considered when negotiating with an installation professional. Remember that as the distance from the existing electrical service and gaseous fuel supply increases, and the number of 90 degree bends in the fuel supply increases, compensations in piping and wiring materials must be made. This is necessary to comply with local codes and overcome electrical voltage drops and gaseous fuel pressure drops.

The factors mentioned above will have a direct affect on the overall price of your generator installation.

In some areas you may need to acquire electrical permits for installing the generator, building permits for installing gas lines, and permits for noise allowances. Your installer should check your local codes AND obtain the permits before installing the system.

Fuel Factors

 **WARNING** Propane and Natural Gas are extremely flammable and explosive, which could cause burns, fire or explosion resulting in death, serious injury and/or property damage.



- The residential generator is equipped with an automatic safety gas “fuel shut-off” valve.
- DO NOT operate the equipment if the “fuel shut-off” valve is missing or inoperative.

An important consideration affecting the entire installation is the type of fuel used by your generator. The system was factory tested and adjusted using either natural gas or liquid propane (LP vapor). For proper engine function, factors that are inherent to each of these fuels, your location and the duration of possible utility interruptions are important considerations in the following fuel guidelines:

- Use clean, dry fuel, free of moisture or any particulate material. Using fuels outside the following recommended values may cause performance problems.
- In engines set up to run on propane (LP), commercial grade HD5 propane with a minimum fuel energy of 2500 BTUs/ft³ with maximum propylene content of 5% and butane and heavier gas content of 2.5% and minimum propane content of 90%.

Natural gas rating will depend on specific fuel but typical derates are between 10 to 20% off the LP gas rating.

Natural gas or LP engines are certified to operate on natural or liquid propane gas. The emissions control system for this engine is EM (Engine Modifications).

Power Decrease at High Altitude or High Temperature

Air density is less at high altitudes, resulting in less available engine power. Specifically, engine power will decrease 3.5% for each 1,000 feet (300 meters) above sea level and 1% for each 10° F (5.6°C) above 77°F (25°C). Make sure you and your installer consider these factors when determining total generator load.

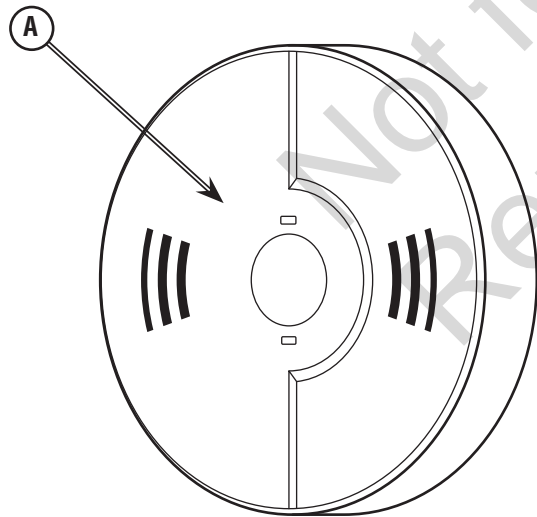
Generator Location


The actual physical location of your generator has a direct affect on:


1. The amount of plumbing required to fuel your generator.
2. The amount of wiring required to control and connect your generator.

Specific location guidelines are discussed in the installation manual. Acquaint yourself with that information and confer with your installer. Be sure to ask how your site might affect installation costs and compliance with local codes and standards.

- Install generator outdoors in an area that will not accumulate deadly exhaust gas.
- DO NOT install generator where exhaust gas could accumulate and enter inside or be drawn into a potentially occupied building or structure.
- By law it is required in many states to have a Carbon Monoxide (CO) detector in operating condition in your home. Carbon monoxide detector(s) **(A)** MUST be installed and maintained indoors according to the manufacturer's instructions/recommendations. A CO monitor is an electronic device that detects hazardous levels of CO. When there is a buildup of CO, the monitor will alert the occupants by flashing visual indicator light and alarm. Smoke alarms cannot detect CO gas.



- ▲ WARNING** Running engine gives off carbon monoxide, an odorless, colorless, poison gas. Breathing carbon monoxide could result in death, serious injury, headache, fatigue, dizziness, vomiting, confusion, seizures, nausea or fainting.
- 
- Operate this product **ONLY** outdoors in an area that will not accumulate deadly exhaust gas.
 - Keep exhaust gas away from any windows, doors, ventilation intakes, soffit vents, crawl spaces, open garage doors or other openings that can allow exhaust gas to enter inside or be drawn into a potentially occupied building or structure.
 - Carbon monoxide detector(s) **MUST** be installed and maintained indoors according to the manufacturer's instructions/recommendations. Smoke alarms cannot detect carbon monoxide gas.

- ▲ WARNING** Exhaust heat/gases could ignite combustibles or structures resulting in death, serious injury and/or property damage.
- 
- Exhaust outlet side of weatherproof enclosure must have at least 5 ft. (1.5 m) minimum clearance from any structure, shrubs, trees, or any kind of vegetation.
 - Standby generator weatherproof enclosure must be at least 5 ft. (1.5 m) from windows, doors, any wall opening, shrubs or vegetation over 12 in. (30.5 cm) in height.
 - Standby generator weatherproof enclosure must have a minimum of 5 ft. (1.5 m) overhead clearance from any structure, overhang or trees.
 - DO NOT place weatherproof enclosure under a deck or other type of structure that may confine airflow.
 - USE **ONLY** flexible fuel line provided. Connect provided fuel line to generator. DO NOT use with or substitute any other flexible fuel line.
 - Smoke detector(s) **MUST** be installed and maintained indoors according to the manufacturer's instructions/recommendations. Carbon monoxide alarms cannot detect smoke.
 - DO NOT place weatherproof enclosure in manner other than shown in illustrations.

- Ensure exhaust gas is kept away from any windows, doors, ventilation intakes, soffit vents, crawl spaces, open garage doors or other openings that can allow exhaust gas to enter inside or be drawn into a potentially occupied building or structure. Your neighbor's home may be exposed to the engine exhaust from your standby generator and must be considered when installing your standby generator.
- Wind and air currents should be taken into consideration when positioning generator.

See the installation manual for full details on safe generator location.

Delivery Inspection

Carefully inspect the generator for any damage that may have occurred during shipment.

If loss or damage is noted at time of delivery, have the person(s) making delivery note all damage on the freight bill and affix his signature under the consignor's memo of loss or damage. If loss or damage is noted after delivery, separate the damaged materials and contact the carrier and your installer for claim procedures. Missing or damaged parts are not warranted.

The home generator system is supplied with:

- Oil (5W30 Synthetic)
- Flexible steel fuel line
- Installation and start-up manual
- Operator's manual
- Spare access roof keys
- Spare 15 Amp ATO-type fuse

Not included:

- Carbon monoxide detector(s)
- Smoke detector(s)
- Starting battery
- Connecting wire and conduit
- Fuel supply valves/plumbing
- Crane, lifting straps, chains or cables
- Two 60" lengths of 3/4" nominal minimum scheduled 40 steel pipe (NOT conduit)
- Torque screwdriver, 5 to 50 inch-pound range
- Voltage/frequency meter

Not for
Reproduction

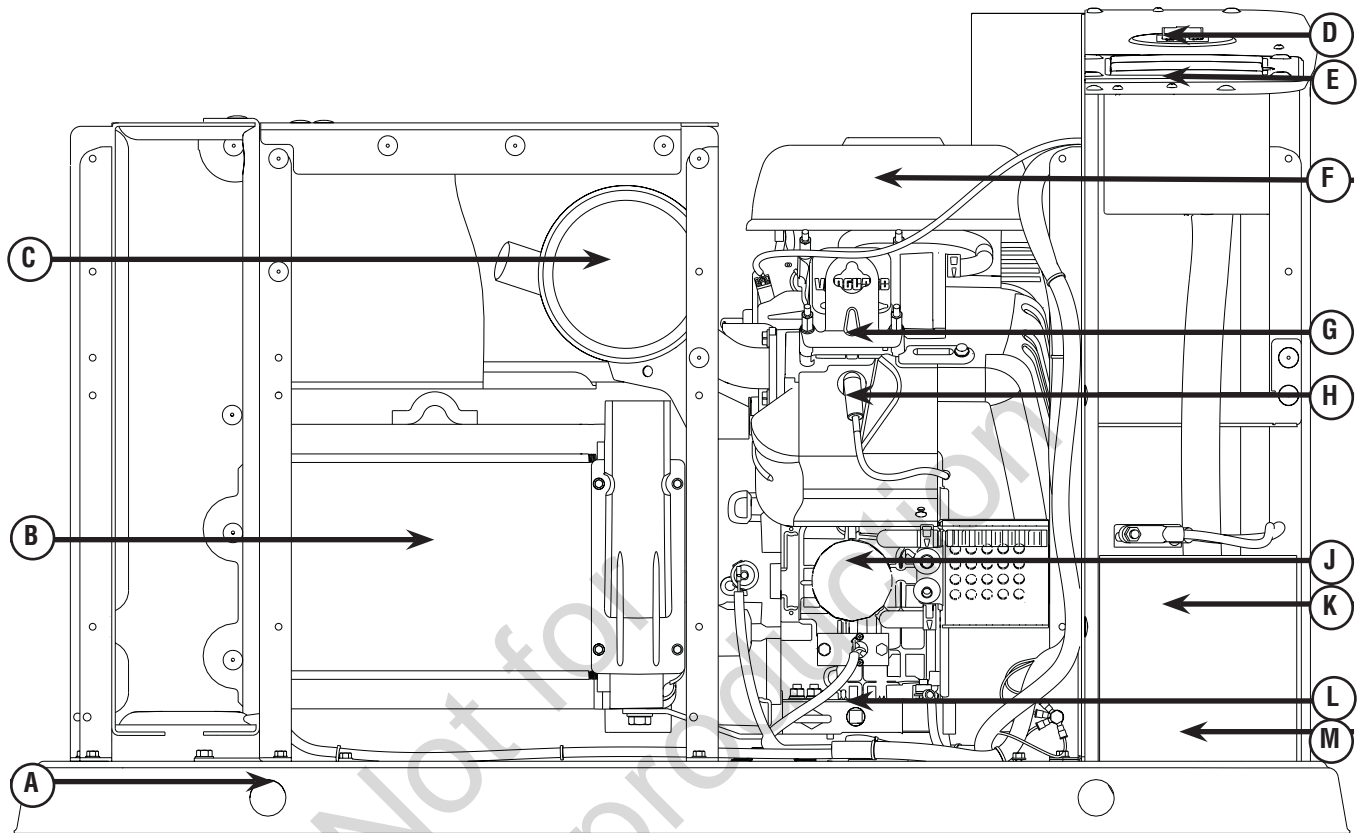
Controls

15kW, 16kW and 20kW Generator (Front View)



Read this Operator's Manual and *Important Safety Instructions* before operating your generator.

Compare the illustrations with your generator to familiarize yourself with the locations of various controls and adjustments. **Save this manual for future reference.**



Generator is shown with roof and access covers removed for clarity.

A - Lifting Holes — Provided at each corner for lifting generator.

B - Alternator — An electrical machine that generates an alternating current

C - Muffler — High-performance muffler lowers engine noise to comply with most residential codes.

D - Circuit Breaker — Protects the system from shorts and other over-current conditions.

E - Control Board — Used for generator operation control, menu start-up, and informational display functions.

F - Air Cleaner — Uses a dry type filter element to protect engine by filtering dust and debris out of intake air.

G - Engine Label — Identifies engine model and type

H - Spark Plug — A device in the cylinder head of the engine that ignites the fuel mixture by means of an electric spark.

J - Oil Filter — Filters engine oil to prolong generator life.

K - Battery (installer supplied) — 12 Volt DC, lead acid, automotive style battery provides power to start the engine.

L - Oil Heater Port/ Oil Drain Hose Port — Provided to allow an optional heating element to be installed. Provided to facilitate oil changing.

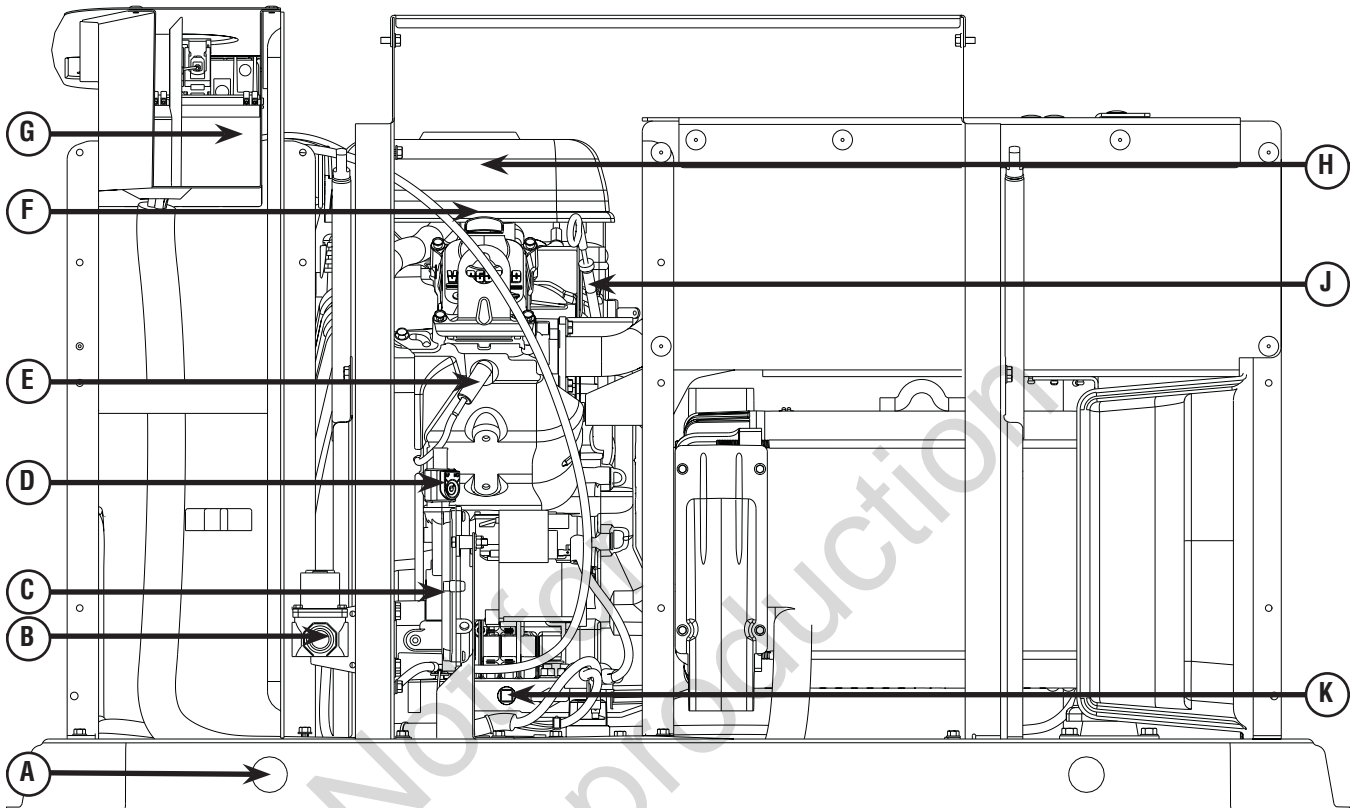
M - Generator Data Label — Identifies generator model number and serial number. Located inside battery access compartment.

15kW, 16kW and 20kW Generator (Back View)



Read this Operator's Manual and Important Safety Instructions before operating your generator.

Compare the illustrations with your generator to familiarize yourself with the locations of various controls and adjustments. **Save this manual for future reference.**



Generator is shown with roof and access covers removed for clarity.

- A - Lifting Holes** — Provided at each corner for lifting generator.
- B - Fuel Solenoid** — Automatically opens and closes to supply fuel to unit when needed.
- C - Fuel Regulator** — Controls fuel flow to engine for proper operation.
- D - Fuel Selector Valve** — Used to select proper fuel type (LP or NG).
- E - Spark Plug** — A device in the cylinder head of the engine that ignites the fuel mixture by means of an electric spark.

F - Oil Fill Cap — Location for adding oil to engine.

G - Electrical Field Wiring Inlet — Wires to and from generator are centered in this location.

H - Air Cleaner — Uses a dry type filter element to protect engine by filtering dust and debris out of intake air.

J - Engine Oil Dipstick — Allows user to check engine oil level easily.

K - Oil Heater Port — Provided to allow an optional heating element to be installed to warm engine oil to promote easy starting in cold climates.

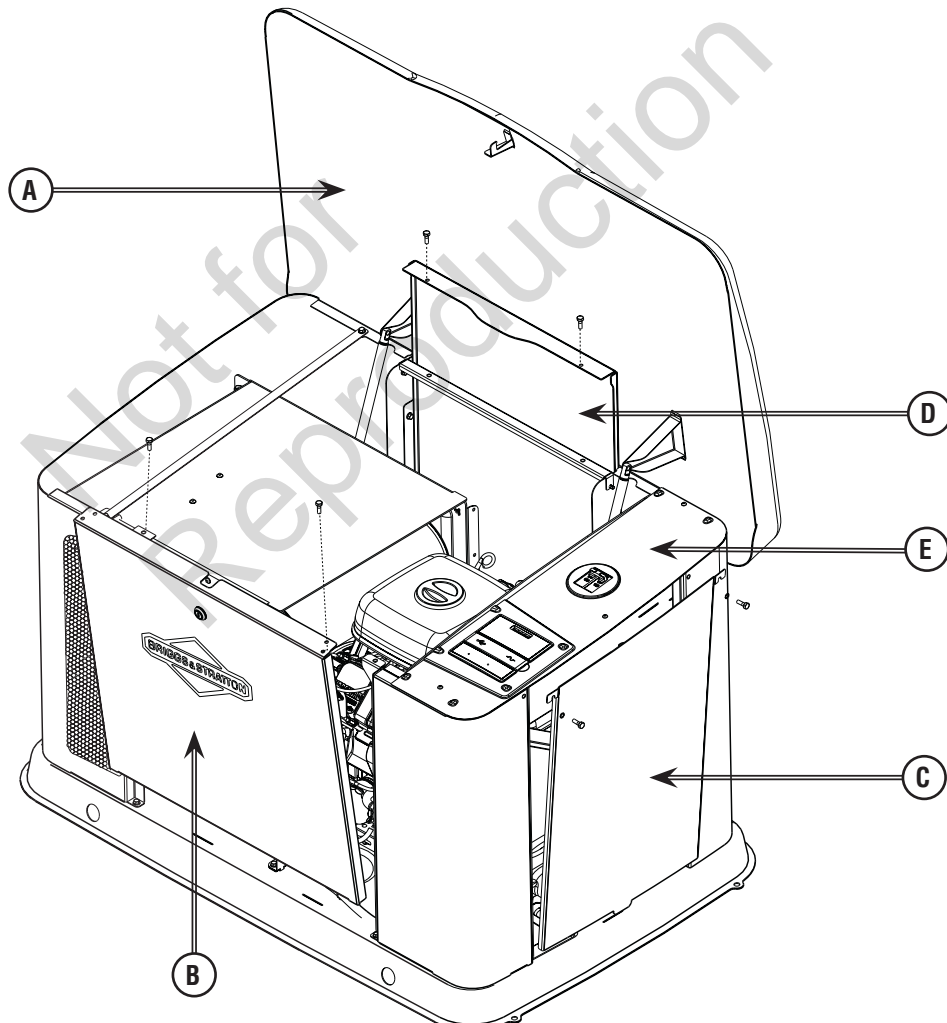
Access Panels

The generator is equipped with an enclosure that has several access panels, as shown.

The access panels and the components located behind them are listed below:

- A** - Roof (Control Panel, air filter, oil dipstick, and circuit breaker)
- B** - Front Access Panel (oil drain and oil filter)
- C** - Battery Panel (battery and generator data label)
- D** - Rear Access Panel (fuel regulator, fuel selector, and engine starter)
- E** - Control Panel Cover (field wiring and control wires)

Each generator is shipped with a set of identical keys. These keys fit in the lock on the front removable panel. The roof must be unlocked in order for it to open.

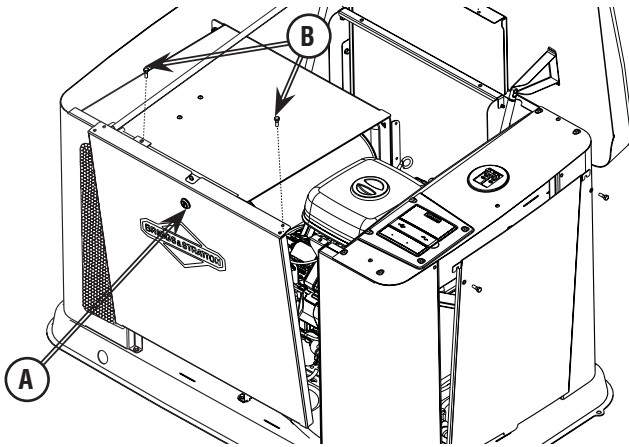


To open roof:

1. Insert key into lock (A) of front panel. Gently push down on roof above the lock to aid in turning the key. Turn key one quarter turn clockwise.
2. Lift roof to the open position.

To remove front panel:

1. Remove the two bolts (B) that secure the panel to the unit.
2. Lift panel to remove from unit.

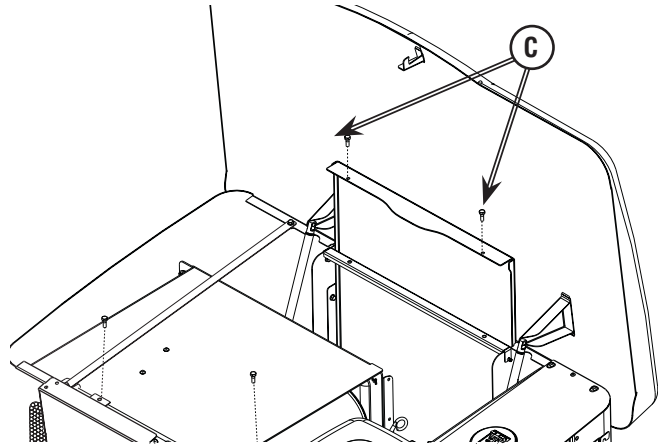


To secure front panel:

1. Place panel in unit.
2. Secure the panel with two bolts.

To remove rear panel:

1. Ensure the roof is in the open position.
2. Remove the two bolts (C) that secure the panel to the unit.



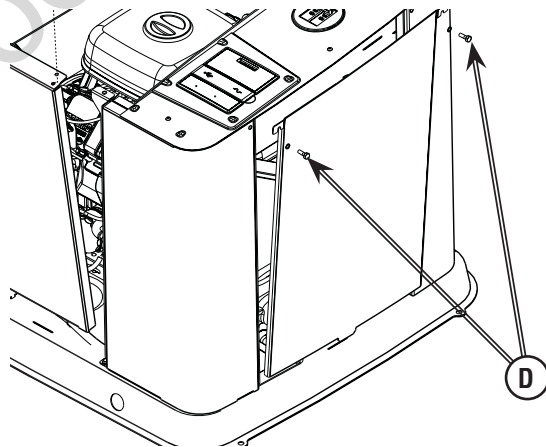
3. Lift panel to remove from unit.

To secure rear panel:

1. Slide panel into place on unit.
2. Secure the panel with two bolts.

To remove battery panel:

1. Ensure the roof is in the open position.
2. Remove the two bolts (D) that secure the panel to the unit.
3. Lift up on panel and remove.

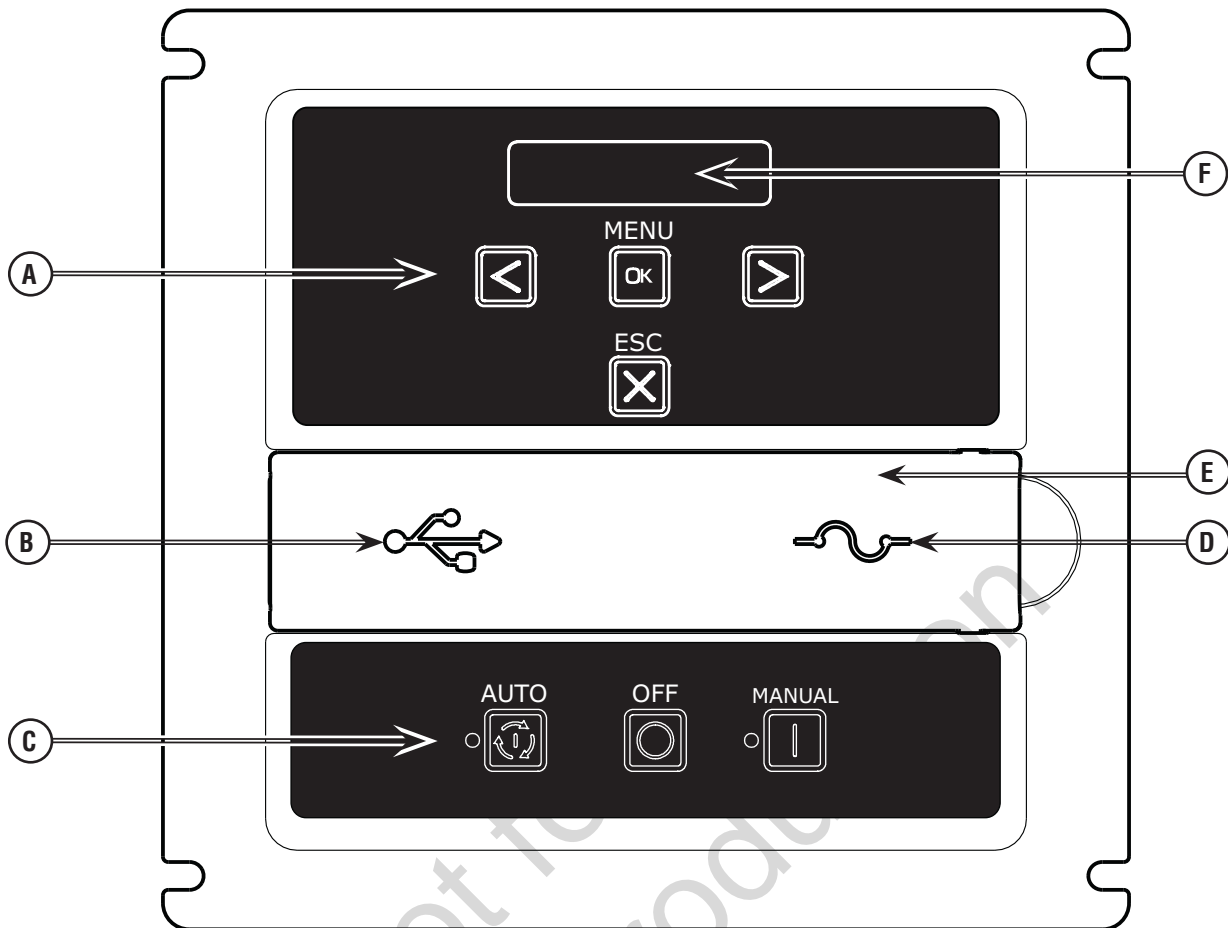


To secure battery panel:

1. Place panel in unit.
2. Secure the panel with two bolts.

System Control Panel

Compare this control panel illustration with your generator to familiarize yourself with the location of these important controls:



A - Menu/Programming Navigation Buttons — See Menu section for details

B - Mini USB Port — Authorized Dealer Service Use Only

C - Generator Operation Control Buttons —

- “**AUTO**” Normal operating position. Press and hold button to put unit into Automatic mode. If an utility power outage is sensed, the system will start the generator. When utility power is restored, auto lets the engine stabilize internal temperatures, shuts off the generator, and waits for the next utility outage.

- “**OFF**” Turns off running generator, prevents unit from starting, and resets any detected service codes.

OFF must be pressed and held for more than 5 seconds in order to reset service codes.

- “**MANUAL**” Used to manually start the generator.

“**AUTO**” LED — LED will light when unit is placed into Auto mode. LED will blink if exercise cycle is not set or set to OFF.








D - 15 Amp Fuse — Protects the home generator DC control circuits. If the fuse has ‘blown’ (melted open) or was removed, the engine cannot crank or start. Replace the fuse using only an identical ATO 15A fuse. One spare fuse is supplied with the unit.

E - Cover — This protective cover must be opened to access the fuse and the USB port.








F - Digital Display — Displays generator mode, menu options, service codes, and service engine indicators

Menu



The following chart shows the icons for the buttons that control the system control panel.

	MENU	ENTER THE MENU (VIEW SETTINGS) PRESS TO CONFIRM SELECTION WHEN PROGRAMMING.
	ESCAPE (EXIT)	RETURN TO LAST MENU ITEM
	RIGHT ARROW	TOGGLE THROUGH MENU OPTIONS SETTING SYSTEM PARAMETERS
	LEFT ARROW	TOGGLE THROUGH MENU OPTIONS SETTING SYSTEM PARAMETERS
	MANUAL MODE	USED TO MANUALLY START THE GENERATOR. PRESS AND HOLD BUTTON TO START THE GENERATOR.
	OFF	TURNS OFF RUNNING GENERATOR, PREVENTS UNIT FROM STARTING, AND RESETS ANY DETECTED Service codeS.
	AUTOMATIC MODE	NORMAL OPERATING POSITION. PRESS AND HOLD BUTTON TO PUT UNIT INTO AUTOMATIC MODE. IF A UTILITY POWER OUTAGE IS SENSED, THE SYSTEM WILL START THE GENERATOR. WHEN UTILITY POWER IS RESTORED, AUTO LETS THE ENGINE STABILIZE INTERNAL TEMPERATURES, SHUTS OFF THE GENERATOR, AND WAITS FOR THE NEXT UTILITY POWER OUTAGE.

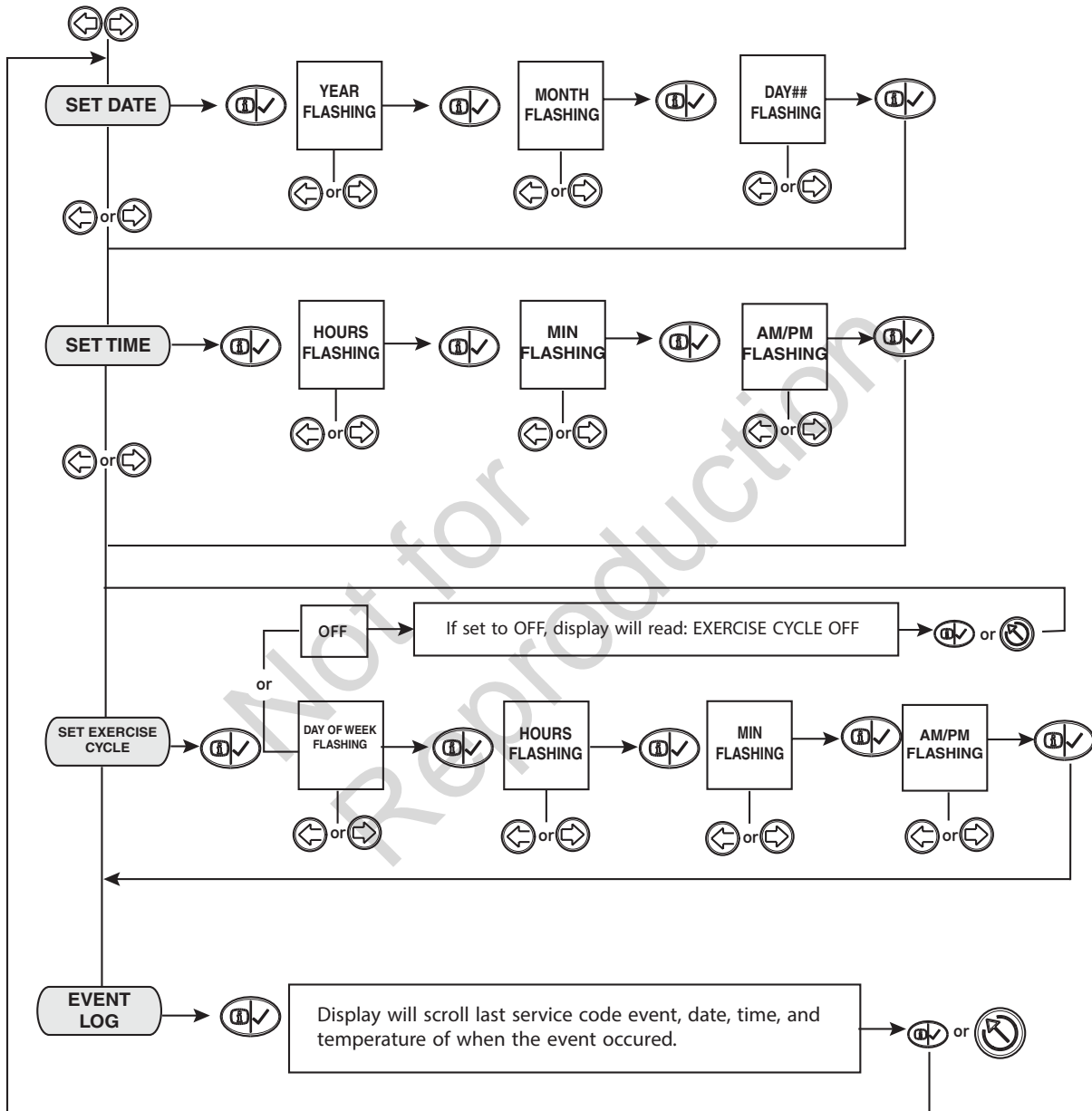
The following chart describes key sequences for accessing different programming modes;

 	GENERAL SET-UP	PRESS AND HOLD [ARROW LEFT AND ARROW RIGHT] FOR THREE SECONDS TO ENTER THE PROGRAM MODE.
  	ADVANCED SETTINGS	PRESS AND HOLD [ARROW LEFT, ARROW RIGHT AND ESC] FOR THREE SECONDS TO ENTER THE ADVANCED SETTINGS MODE.
 	WIRELESS LINK MODE	PRESS AND HOLD [MENU AND ESC] FOR THREE SECONDS TO ENTER THE WIRELESS LINKING MODE.

General Set Up Screen

For general set up, press and hold the left arrow and right arrow   for 3 seconds. Follow the prompts as outlined below.

NOTE: Date and Time were set at the factory and stored in the control panel memory. The Exercise Cycle was also set at the factory. The default exercise cycle occurs on Tuesdays, at 2:00 P.M. Central Standard Time. To updated or change these settings, follow the steps below.



IF DURING PROGRAMMING NO BUTTONS ARE PRESSED FOR 30 SECONDS, THE CONTROL PANEL WILL AUTOMATICALLY EXIT THE PROGRAM MODE.

Control Panel Prompts

Automatic Mode

In Automatic Mode, the display screen will display via scrolling text:

- GENERATOR READY - if the unit is in standby and utility power is present.
- GENERATOR ON - if the unit is running and utility power is not present.
- SERVICE CODE - if a system service code has been detected.

General System Parameters

To view general system parameters, press the MENU button.

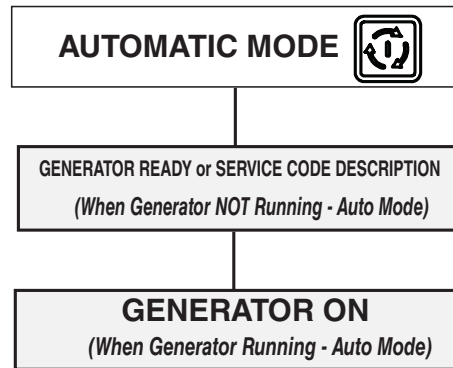
The following will scroll across the digital display and then move to the next item:

- Run time
- Date
- Time
- Exercise Cycle date and start time

The user can press the LEFT ARROW or RIGHT ARROW at any time to move to the next item.

The user can press ESCAPE to go back to GENERATOR READY.

If no user inputs are made for 10 seconds after all the items have been displayed, the control board will reset to GENERATOR READY.



Operation

Important Owner's Considerations

Engine Oil

NOTICE Any attempt to crank or start the engine before it has been properly serviced with the recommended oil will result in equipment failure.

- DO NOT attempt to crank or start the engine before it has been properly serviced with the recommended oil. This may result in an engine failure.
- Damage to equipment resulting from failure to follow this instruction will void generator warranty.

The engine is shipped from the factory pre-run and filled with synthetic oil (API SJ/CF 5W-30). This allows for system operation in a wide range of temperature and climate conditions. Before starting the engine, check oil level and ensure that engine is serviced as described in *Maintenance*.

Battery

The installer must supply a rechargeable 12 volt DC starting battery. See *Battery* in *Final Installation Considerations* in the installation manual.

▲ WARNING Battery posts, terminals and related accessories contain lead and lead compounds, chemicals known to the State of California to cause cancer and reproductive harm. Wash hands after handling.

With the battery installed, all wiring to transfer switch and generator completed, utility power supplied to the automatic transfer switch, and the unit in **AUTO** mode, the battery receives a trickle charge while the engine is not running. The trickle charge cannot be used to recharge a battery that is completely discharged.

15 Amp Fuse

The generator's 15 Amp fuse is critical to correct system operation. The 15 Amp fuse was removed at the factory to prevent the unit from starting during shipping. Your installer will ensure the fuse is properly installed upon completion of the installation.

Automatic Operation Sequence

The generator's control board constantly monitors utility voltage. Should utility voltage drop below a preset level, the control board will signal the engine to crank and start.

▲ CAUTION With the system switch set to **AUTO**, the engine could crank and start at any time without warning, resulting in minor or moderate injury.

- To prevent possible injury that may be caused by such sudden starts, always set the system switch to **OFF** if performing maintenance on the system.
- Remove the 15 Amp fuse before working on or around the generator or transfer switch.

When utility voltage is restored above a preset voltage level, the engine is signaled to shut down.

The actual system operation is not adjustable and is sequenced by sensors and timers on the control board, as follows:

Utility Voltage Dropout Sensor

- This sensor monitors utility source voltage.
- If utility source voltage drops below about 70 percent of the nominal supply voltage, the sensor energizes a 3 second timer. The timer is used to 'sense' brown-outs.
- Once the timer has expired, the engine will crank and start.

Utility Voltage Pickup Sensor

This sensor monitors utility power voltage. When utility voltage is restored above 80 percent of the nominal source voltage, a time delay starts timing and the engine will go to engine cool-down.

Engine Cool-down Timer

When utility power is sensed and the load transfers to the utility source, the engine will go into a cool down period as described below:

- If the generator has run for **MORE** than 5 minutes, once the utility transfer occurs, the engine will continue to run for about 1 minute before shutting down.
- If the generator has run for **LESS** than 5 minutes, once the utility transfer occurs, the engine will continue to run until 5 minutes has elapsed before shutting down.

Setting Exercise Timer

The generator is equipped with an exercise timer. During the exercise period, the unit runs for approximately 20 minutes and then shuts down. Electrical load transfer DOES NOT occur during the exercise cycle (unless an utility power outage occurs).

The generator will only enter the exercise cycle if the unit is in the AUTO mode and this exact procedure is followed.

To set the exercise timer:

NOTICE The generator is set with a deservice code exercise cycle setting of Tuesday at 2:00 P.M, Central Time. To change the cycle setting, proceed to the following steps:

1. Choose the day and time you want your generator to exercise.
2. Press and hold the left arrow and right arrow simultaneously for 3 seconds to enter the General Set-Up program mode. See General Set-Up flow chart in Menu Section.
3. Verify and/or set the time and date on the unit.
4. Go to the SET EXERCISE prompt and hit the "OK" button.

NOTICE Items will flash until they are selected.

SELECT DAY: Use the left or right arrow to toggle through the days of the week, Once the day is selected, hit the "OK" button.

SELECT HOUR: Use the left or right arrow to toggle through between 1 and 12. Choose the hour of day you want the generator to exercise then hit the "OK" button.

SELECT MINUTE: Use the left of right arrow to toggle between :00 and :59. Choose the minute of the day you want the generator to exercise then hit the "OK" button.

SELECT AM/PM: Use the left of right arrow to toggle between AM and PM. Once chosen, hit the "OK" button.

NOTICE During the weekly exercise cycle, the generator will run for 20 minutes, but it will not supply power to the home. During the exercise cycle, the in-home monitor will continue blinking the GENERATOR READY green LED.

If you want to change the day and time the unit exercises, simply perform the procedure again.

To turn off the generator exercise cycle, go to the OFF selection within the day of the week menu and press OK. The display will then scroll: EXERCISE CYCLE OFF.

Maintenance

Servicing the System

Before performing any generator maintenance, always perform the following steps:

1. Set generator's circuit breaker to its **OFF** position.
2. Press and hold the control board **OFF** button.
3. Remove 15 Amp fuse from control board.
4. **Utility voltage is present at generator control board.** Disconnect power before servicing control board by removing the fuses from the transfer switch.
5. After all servicing has been completed, replace fuses in transfer switch, replace 15 Amp fuse in control board, set circuit breaker ON and press and hold control board AUTO button.

Service Code Detection System

The generator may have to run for long periods of time with no operator present. For that reason, the system is equipped with sensors that automatically shut down the generator in the event of potentially damaging conditions, such as low oil pressure, high temperature, over speed, and other conditions.

The generator's control board shows service code descriptions scrolling across the digital display. The service code descriptions are listed below:

- Low Battery Voltage
- Low Oil Pressure
- Under Voltage
- Over Voltage
- Engine Does Not Start
- Low Frequency
- Engine Overspeed
- High Oil Temperature
- Transfer Switch Service code
- Battery Charge Circuit

Reset Service Code Detection System

The operator must reset the service code detection system each time it activates. To do so, press the control board **OFF** button for 5 seconds. Once the display turns off, leave it off for at least 30 seconds. Remedy the service condition, then return the home generator to service by pressing and holding the control board **AUTO** button and installing the 15 Amp fuse (if removed).

Low Battery Voltage

This service code is indicated by *Low Battery Voltage* scrolling across the digital display. This condition occurs if the battery voltage drops below the preset value. Causes for this problem may be a service code battery or battery charge circuit. See *Battery Charge Circuit*.

Remove the 15 Amp fuse and disconnect the battery from the generator. Test the battery voltage. If voltage meets specifications, take the battery to a local battery store for analysis. Or contact your local service center for assistance.

Reinstall the battery (replace if necessary - see *Battery in Final Installation Considerations* in the installation manual). Then reset the service code detection system, as described earlier.

Low Oil Pressure

This service code is indicated by *Low Oil Pressure* scrolling across the digital display. The unit is equipped with an oil pressure switch that uses normally closed contacts held open by engine oil pressure during operation. Should oil pressure drop below the 8 psi range, switch contacts close and the engine will shut down.

To remedy the low oil pressure condition, add the recommended oil to the FULL mark on the dipstick.

If the low oil pressure condition still exists, the engine will start, then shut down again. The service code code will appear. In this case, contact an authorized dealer.

Under Voltage

This service code is indicated by *Under Voltage* scrolling across the digital display. This condition is caused by a restriction in the fuel flow, the electronic governing system not functioning properly, a broken or disconnected signal lead, a failed alternator winding, the control board circuit breaker is open, or the generator is overloaded.

To remedy the problem, contact your installer or an authorized dealer.

Over Voltage

This service code is indicated by *Over Voltage* scrolling across the digital display. This feature protects devices connected to the transfer switch by shutting the generator down if the generator output voltage happens to increase above the preset limit.

This condition is most likely caused by a failed voltage regulator, alternator excitation circuit or a load imbalance. To remedy the problem, contact your installer or an authorized dealer.

Engine Does Not Start

This service code is indicated by *Engine Does Not Start* scrolling across the digital display. This feature prevents the generator from damaging itself if it continually attempts to start in spite of another problem, such as no fuel supply. Each time the system is directed to start, the unit will crank for 10 seconds, pause for 10 seconds, and repeat. If the system does not begin producing electricity after approximately 2 minutes, the unit will stop cranking.

The most likely cause of this problem is no fuel supply or incorrect fuel selector setting. See *Fuel Selection Switch* in the installation manual. Check the internal and external fuel shut off valves to ensure they are fully open. Other causes could be failed spark plug(s), a loose electronic governor connection, a failed engine ignition, or the engine air filter is clogged. You may need to contact your installer for assistance if you can't remedy these problems.

Low Frequency

This service code is indicated by *Low Frequency* scrolling across the digital display. This feature protects devices connected to the transfer switch by shutting the generator down if the engine runs slower than 55 Hz for three seconds. This condition is caused by a failed engine component, electronic governor system, or by excessive loads on the generator. To resolve the problem, contact your installer or an authorized dealer.

Engine Overspeed

This service code is indicated by *Engine Overspeed* scrolling across the digital display. This condition can be caused by a problem within the electronic governor system.

To resolve the problem, contact your installer or an authorized dealer.

High Oil Temperature

This service code is indicated by *High Oil Temperature* scrolling across the digital display. The contacts of the temperature switch are normally open. If the engine temperature increases past a determined temperature, the service code is detected and the engine shuts down.

Common causes for this condition include running the unit with an access doors removed, obstructed air inlet or exhaust port, or debris in the engine compartment or running unit with roof open.

To resolve the problem, let the engine cool down and remove any accumulated debris and obstructions. Ensure that the access doors are installed and the roof is closed whenever the unit is running. If problem persists, contact your installer or authorized dealer.

Transfer Switch Service code

This service code is indicated by *Transfer Switch Service code* scrolling across the digital display (if transfer switch is equipped with service code detection).

The most likely cause of this service code is a blown fuse in the transfer switch. To remedy the problem, contact your installer or an authorized dealer.

Battery Charge Circuit

This service code is indicated by *Battery Charge Circuit* scrolling across the digital display. The most likely cause is an electrical problem with the control panel. To remedy the problem, contact your installer or an authorized dealer.

Maintenance Schedule

Follow the hourly or calendar intervals of operation, whichever occurs first.

First 5 Hours
Change Engine Oil
Every 8 Hours or Daily
Clean Debris
Check Engine Oil Level
Every 100 Hours or Annually
Change Air Filter
Change Engine Oil and Filter
Replace Spark Plugs
Check Valve Clearance
Check Torque of Engine End Cover Bolts
Check Circuit Breaker Torques
Annually
Clean Oil Cooler Fins
Test System Operation (Simulate a Power Outage)

When all engine servicing is complete, replace 15 Amp fuse in control panel and reset the exercise timer. See *Setting Exercise Time in Operation*.

Regular maintenance will improve the performance and extend life of the generator. See any authorized dealer for service.

Emissions Control

Maintenance, replacement, or repair of the emissions control devices and systems may be performed by any non-road engine repair establishment or individual.

However, to obtain "no charge" emissions control service, the work must be performed by a factory authorized dealer. See the *Emission Warranty*.

Generator Maintenance

The generator's warranty does not cover items that have been subjected to operator abuse or negligence. To receive full value from the warranty, the operator must maintain the generator as instructed in this manual.

Some adjustments will need to be made periodically to properly maintain your generator.

All service and adjustments should be made at least once each season. Follow the requirements in the Maintenance Schedule chart.

Generator maintenance consists of keeping the unit clean. Operate the unit in an environment where it will not be exposed to excessive dust, dirt, moisture or any corrosive vapors. Cooling air louvers on the enclosure must not become clogged with snow, leaves, or any other foreign material. To prevent generator damage caused by overheating, keep the enclosure cooling inlets and outlets clean and unobstructed at all times.

Check the cleanliness of the unit frequently and clean when dust, dirt, oil, moisture or other foreign substances are visible on its exterior/interior surface. Inspect the air inlet and outlet openings inside and outside the enclosure to ensure air flow is not blocked.

DO NOT use direct spray from a garden hose to clean generator. Water can enter the engine and generator and cause problems.

NOTICE Improper treatment of generator could damage it and shorten its life.

- DO NOT expose generator to excessive moisture, dust, dirt, or corrosive vapors.
- DO NOT insert any objects through cooling slots.

Clean the generator as follows:

1. Press and hold the control board **OFF** button.
2. Remove 15 Amp fuse from control board.
3. Clean generator as desired.
 - Use a damp cloth to wipe exterior surfaces clean.
 - Use a soft, bristle brush to loosen caked on dirt, etc.
 - Use a vacuum cleaner to pick up loose dirt and debris.
 - Use low pressure air (not to exceed 25 psi) to blow away dirt. Inspect cooling air slots and openings on the generator. These openings must be kept clean and unobstructed.
4. Reinstall 15 Amp fuse in control board.
5. Press and hold the control board **AUTO** button.

Battery

▲ WARNING Battery posts, terminals and related accessories contain lead and lead compounds, chemicals known to the State of California to cause cancer and reproductive harm. Wash hands after handling.

Servicing of batteries is to be performed or supervised by personnel knowledgeable of batteries and the required precautions. Keep unauthorized personnel away from batteries.

Servicing the Battery

If it is necessary to service the battery, proceed as follows:

1. Press and hold the control board **OFF** button.
2. Remove 15 Amp fuse from control panel.
3. Service or replace battery as required. See *Battery in Final Installation Considerations* in the installation manual for specific battery needed.
4. Connect red battery cable to battery positive terminal (indicated by **POSITIVE, POS, or (+)**).
6. Connect black negative battery cable to negative battery terminal (indicated by **NEGATIVE, NEG, or (-)**).
7. Ensure hardware on both positive and negative battery terminals is secure.
8. Reinstall 15 Amp fuse in control panel.
9. Press and hold the control board **AUTO** button.



DON'T POLLUTE. CONSERVE RESOURCES, RETURN USED BATTERY TO RECYCLING COLLECTION CENTER.

Charging the Battery

If it is necessary to charge the battery, proceed as follows:

1. Press and hold the control board **OFF** button.
2. Remove 15 Amp fuse from control board.
3. Disconnect negative battery cable from negative battery terminal (indicated by **NEGATIVE, NEG, or (-)**).
4. **Charge battery with battery charger at 2 Amps until battery holds 12 Volts. DO NOT exceed 13.7 volts when charging.**

NOTICE Failure to disconnect negative battery cable could result in equipment failure.

- DO NOT attempt to jump start the generator.
- Damage to equipment resulting from failure to follow this instruction will void engine and generator warranty.

NOTICE DO NOT use a battery booster to quick charge a low battery.

5. Connect negative battery cable to negative battery terminal (indicated by **NEGATIVE, NEG, or (-)**).
6. Ensure hardware on both positive and negative battery terminals is secure.
7. Reinstall 15 Amp fuse in control board.
8. Press and hold the control board **AUTO** button.

Electronic Governor

The engine electronic governor system allows for improved control and increased generator performance compared to mechanically governed systems. The result is smooth steady-state operation without the “hunting” common to some mechanical governors. The system also reduces speed variations under engine loading and unloading and significantly reduces frequency fluctuation experienced when the engine is under higher loads.

The electronic governor system is composed of a stepper motor (B), stepper motor throttle control linkages (C), and throttle side linkages (A). The control board contains a digital controller that processes engine speed information and sends appropriate commands to the stepper motor to control the position of the engine throttle.

Since the electronic governing system controls the engine throttle demand based upon generator load, the following service codes and/or conditions may be related to an electronic governing system issue:

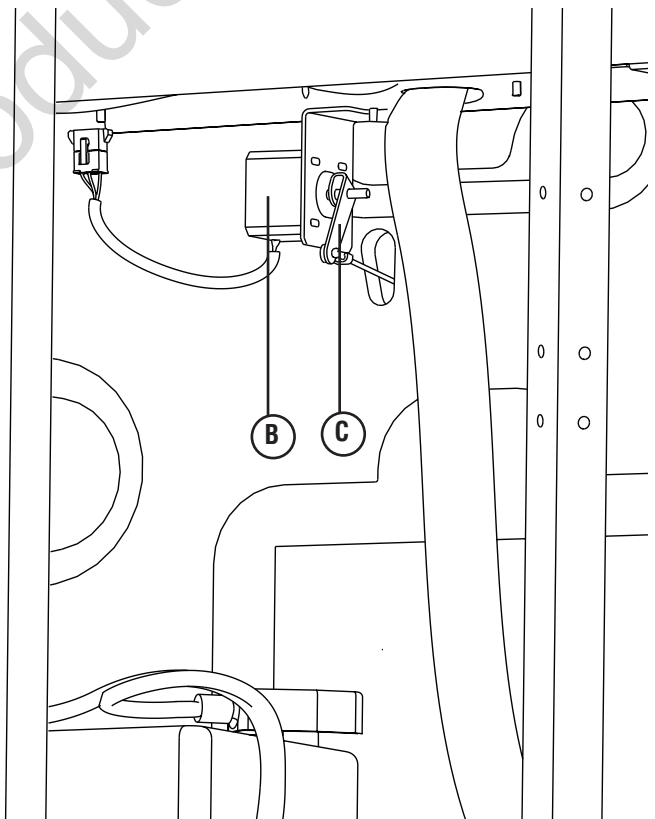
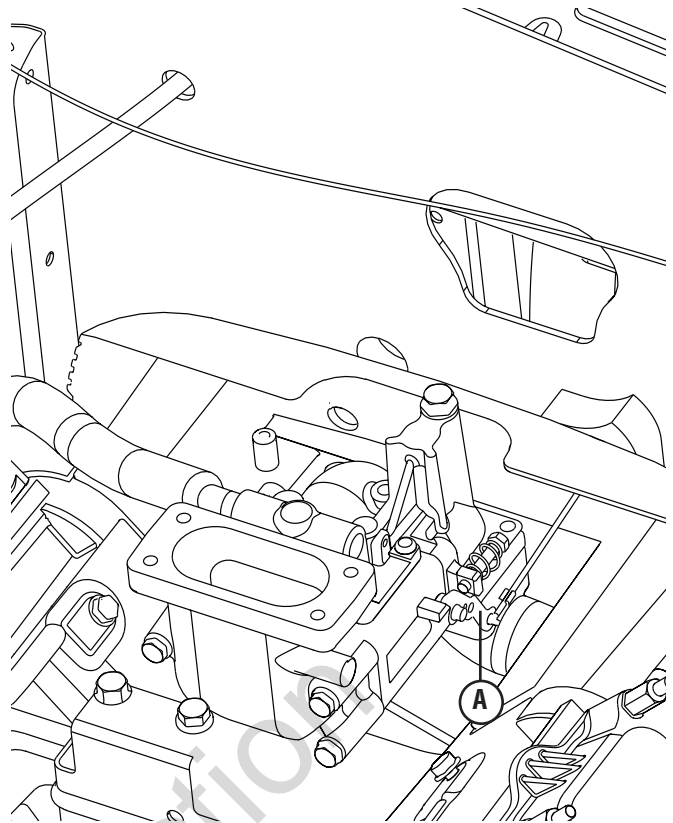
- Engine Does Not Start
- Over Speed
- Under Frequency
- Unstable No Load Engine Control

While trouble shooting any of these conditions, a verification of the electronic governor system can be initiated through the control panel – advanced menu options – Electronic Governor Check. Refer to the Installation Manual for Advanced Menu Operation.

Electronic Governing Check:

The generator has an electronic governing check feature that will turn on the stepper motor and move the throttle linkage clockwise and counterclockwise within the throttle limits. The test will rotate the stepper motor and move the throttle arm between the wide open throttle and dead idle limits 4 times with a 2 second delay between each throttle sweep. This will allow visual verification that the stepper motor is functioning properly and the control linkages are connected. The engine will not attempt to start during this test. If the stepper motor does not move, or if a linkage binds, then service may be required.

NOTICE If stepper motor does not move, please make sure the stepper motor connector is attached.



Engine Maintenance



WHEN ADJUSTING OR MAKING REPAIRS TO YOUR GENERATOR

- Disconnect the spark plug wire from the spark plug and place the wire where it cannot contact spark plug.

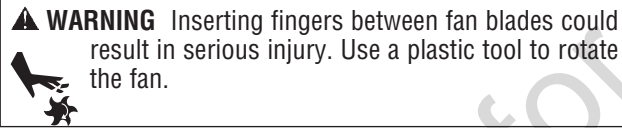
WHEN TESTING FOR ENGINE SPARK

- Use approved spark plug tester.
- DO NOT check for spark with spark plug removed.

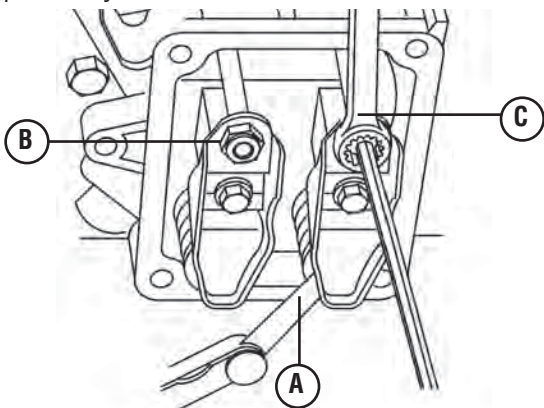
When all engine servicing is complete, replace 15 Amp fuse in control board and reset exercise timer.

Adjust Valve Lash

1. Valve lash adjustment must be performed on a COLD engine
2. Remove both spark plugs to ease manual rotation of engine crankshaft.
3. Access to rotate the engine by hand is available by:
 - a. Removing the engine intake screen in the battery compartment such that the crankshaft nut is accessible. Care must be taken when reassembling this screen using the self tapping screws as over-torquing will strip out the partition material.



- b. OR remove the front alternator outlet air scoop by removing the four screws that secure it. The crankshaft may be rotated via the aluminum alternator fan. Care should be taken not to damage the fan, and to reinstall the alternator outlet air scoop in the proper orientation.
4. Set the No. 1 cylinder at $\frac{1}{4}$ " (6mm) past Top Dead Center (TDC) on the compression stroke.
5. Using a feeler gage (A), measure the valve clearance.
6. The proper valve clearance is .005" (0.13mm) for both the intake and exhaust.
7. Adjust the clearance by loosening the lock nut (B), then turn the adjusting screw (C).
8. Once the clearance is properly set, hold the adjusting screw while torquing the lock nut to 70 in-lbs (8Nm)
9. Repeat for cylinder No. 2



Engine Oil

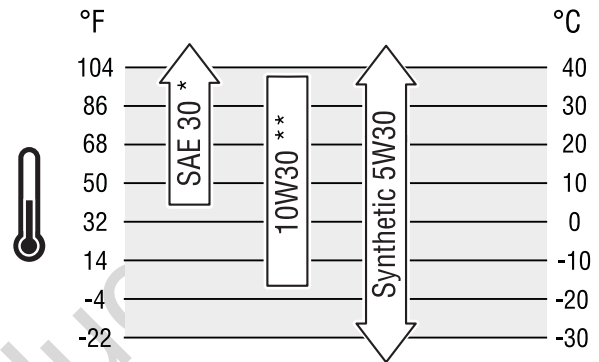
The engine is filled with synthetic oil (API SJ/CF 5W-30). This allows for system operation in the widest range of temperature and climate conditions.

We recommend the use of Briggs & Stratton Warranty Certified oils for best performance. Other high-quality detergent oils are acceptable if classified for service SJ or higher. DO NOT use special additives.

Outdoor temperatures determine the proper oil viscosity for the engine. Use the chart to select the best viscosity for the outdoor temperature range expected.



NOTICE Synthetic oil meeting ILSAC GF-2, API certification mark and API service symbol with "SJ/CF ENERGY CONSERVING" or higher, is an acceptable oil at all temperatures. Use of synthetic oil does not alter required oil change intervals.



* Below 40°F (4°C) the use of SAE 30 will result in hard starting.

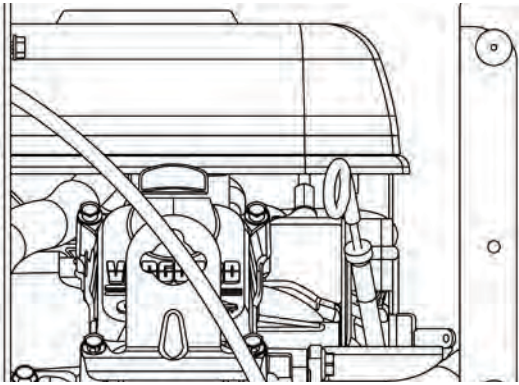
** Above 80°F (27°C) the use of 10W30 may cause increased oil consumption. Check oil level more frequently.

Changing Engine Oil and Oil Filter

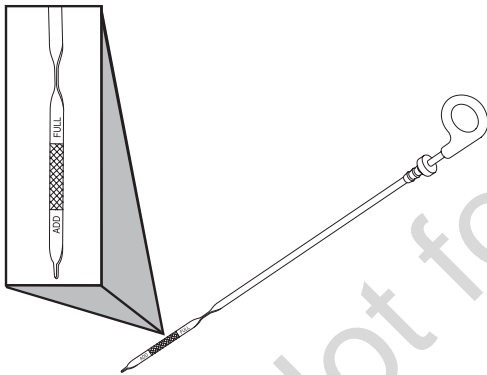
Open roof and remove front panel to access the oil filter and to add engine oil.

Checking/Adding Engine Oil

1. Open roof to access dipstick and oil fill area.



2. Clean the oil fill area of any debris.
3. Remove the dipstick and wipe with a clean cloth.
4. Fully insert dipstick into oil fill.
5. Remove dipstick and check oil level. Verify oil is at Full mark on dipstick.



6. If needed, slowly pour recommended oil into oil fill opening. DO NOT overfill. After adding oil, wait one minute and recheck oil level.

NOTICE Overfilling with oil could cause the engine to not start, or hard starting.

- DO NOT overfill.
 - If over the FULL mark on dipstick, drain oil to reduce oil level to FULL mark on dipstick.
7. Replace oil dipstick.
 8. Close roof and secure.

Changing Engine Oil and Oil Filter



KEEP OUT OF REACH OF CHILDREN. DON'T POLLUTE. CONSERVE RESOURCES. RETURN USED OIL TO COLLECTION CENTERS.

NOTICE Any attempt to crank or start the engine before it has been properly serviced with the recommended oil will result in equipment failure.

- DO NOT attempt to crank or start the engine before it has been properly serviced with the recommended oil. This may result in an engine failure.
- Damage to equipment resulting from failure to follow this instruction will void engine and generator warranty.

Change the oil while the engine is still warm from running, as follows:

CAUTION Avoid prolonged or repeated skin contact with used motor oil.

- Used motor oil has been shown to cause skin cancer in certain laboratory animals.
- Thoroughly wash exposed areas with soap and water.

1. Press and hold the control board **OFF** button.
2. Remove 15 Amp fuse from control board.
3. Place oil drain hose into an approved container.
4. Remove brass fitting from end of drain hose and drain oil into an approved container.
5. When oil has drained, replace brass fitting on hose.
6. Place an approved container under oil filter.
7. Remove oil filter and dispose of properly.
8. Before installing a new oil filter, lightly lubricate the oil filter gasket with fresh, clean oil.
9. Install the oil filter by hand until the gasket contacts the oil filter adapter, then tighten the oil filter 1/2 to 3/4 turn.
10. Add oil.
11. Remove container from under oil filter and clean up any spilled oil.
12. Start and run engine. As engine warms up, check for oil leaks.
13. Stop engine, wait for oil to settle, check oil level and add if necessary.

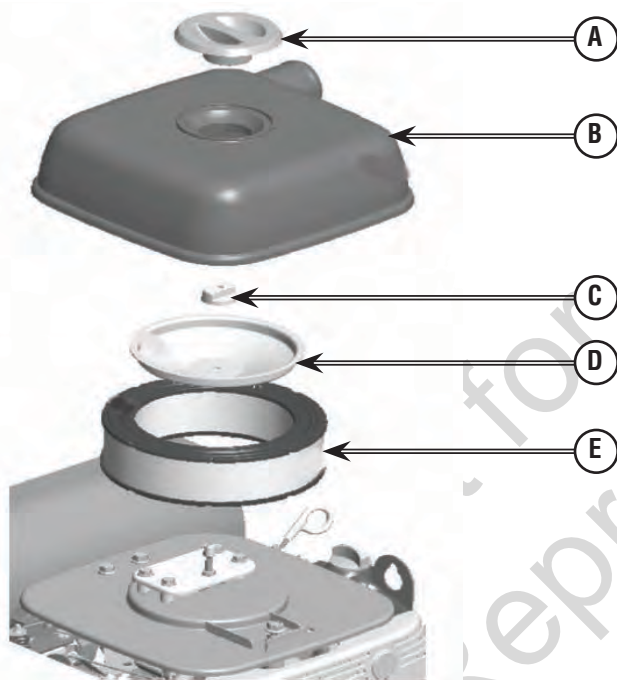
Service Air Cleaner

Your engine will not run properly and may be damaged if you run it with a dirty air cleaner. Clean or replace more often if operating under dusty or dirty conditions.

To service the air cleaner, follow these steps:

1. Remove the knob (A) and the cover (B). Remove the nut (C) and the retainer (D).
2. Remove air filter (E).
3. To loosen debris, gently tap air cleaner on a hard surface. If air cleaner is excessively dirty, replace with a new air cleaner.
4. Install the air filter and secure with retainer and nut.
5. Install the cover and secure with knob.

NOTICE Replacement parts must be the same and installed in the same position as the original parts.



Fuel System Inspection and Maintenance

Natural Gas/Propane Fuel System

The fuel system installed on this engine has been designed to various standards to ensure performance and reliability. To ensure compliance to these standards, follow the recommended maintenance schedule contained in this section.

NOTICE The fuel system components have been specifically designed and calibrated to meet the fuel system requirements of the engine. If a fuel system component fails to operate or develops a leak, it should be repaired or replaced with the OEM recommended replacement parts.

Pressure Regulator Maintenance and Inspection

- Check for any fuel leaks at the inlet and outlet fittings.
- Check for any fuel leaks in the regulator body.
- Check to ensure the regulator is securely mounted and the mounting bolts are tight.
- Check the regulator for external damage.

Venturi/Throttle Control Device Maintenance and Inspection

NOTICE A dirty air cleaner may significantly alter the venturi performance.

- Leaks at all fittings.
- Ensure the venturi and throttle body are securely mounted.
- Inspect air cleaner element according to the recommended maintenance schedule found in this section.
- Inspect air inlet hose connection and clamp. Inspect hose for cracking, splitting, or chaffing. Replace if any of these conditions exist.
- Check fuel line for cracking, splitting, or chaffing. Replace if any of these conditions exist.
- Check for leaks at the throttle body and intake manifold.

Exhaust System Maintenance and Inspection

When inspecting the exhaust system, check the following:

- Inspect exhaust manifold at the cylinder head for leaks and that all retaining bolts and shields (if used) are in place.
- Inspect muffler for exhaust leaks. Repair as necessary.

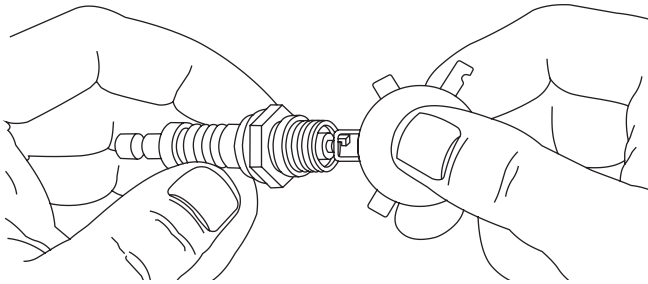
Engine Exterior

Periodically inspect the engine exterior for contamination and potential damage from dirt, leaves, rodents, spider webs, insects, etc. and remove.

Service Spark Plugs

Changing the spark plugs will help your engine to start easier and run better.

1. Clean area around spark plugs.
2. Remove and inspect spark plugs.
3. Check electrode gap with wire feeler gauge and reset spark plug gap to recommended gap if necessary (see Specifications).
4. Replace spark plugs if electrodes are pitted, burned or porcelain is cracked. Use the recommended replacement spark plugs. See Specifications.
5. Install spark plugs and tighten to 180 in/lbs (20Nm).



When Calling for Assistance

You must have the following information at hand if it is necessary to contact a local service center regarding service or repair of this unit:

1. Obtain the unit Model Number and Serial Number from the unit ID label. See *Controls* for location of the label or refer to the information recorded on the inside from cover of the installation manual.
2. Obtain the engine identification numbers from the engine label. See the operator's manual for location of this information.

Storage

The home generator system is designed for long term service as a backup generator. There is no need to take any storage precautions. However, if it becomes necessary to take the system out of service for an extended period, call Technical Services at 888 575-8226, between 8:00 AM and 5:00 PM CT for specific recommendations.

Not for
Reproduction

Troubleshooting

Problem	Cause	Correction
Engine is running, but no AC output is available.	<ol style="list-style-type: none"> 1. Circuit breaker open or defective. 2. Service code in generator control board. 3. Poor wiring connections or defective transfer switch. 	<ol style="list-style-type: none"> 1. Reset or replace circuit breaker. 2. Contact local service facility. 3. Check and repair or contact local service facility.
Engine runs well at no-load but “bogs down” when loads are connected.	<ol style="list-style-type: none"> 1. Generator is overloaded. 2. Short circuit in a connected load. 3. Shorted generator circuit. 4. Fuel pressure or mixture is incorrect. 5. Kinked fuel line between regulator and engine. 6. Electronic Governor system not operating properly. 	<ol style="list-style-type: none"> 1. Remove one or more loads. 2. Disconnect shorted electrical load. 3. Contact local service facility. 4. See Gaseous Fuel System in the installation manual. 5. Remove kink. Replace if necessary. 6. Contact local service facility.
Engine will not start; or starts and runs rough.	<ol style="list-style-type: none"> 1. 15 Amp fuse missing or blown. 2. Electronic Governor not working properly. 3. Fuel supply turned off or depleted. 4. Incorrect fuel selection. 5. Failed battery. 6. Clogged air filter. 	<ol style="list-style-type: none"> 1. Install (new) 15 Amp fuse. See System Control Board 2. Contact local service facility. 3. Open fuel valve(s); check propane tank. 4. Check fuel selector switch and set to proper setting. 5. Replace battery. 6. Clean or replace air filter.
Engine shuts down during operation.	<ol style="list-style-type: none"> 1. Fuel supply turned off or depleted. 2. Control board digital display shows a service code code. 	<ol style="list-style-type: none"> 1. Check fuel valves, fill propane tank. 2. Refer to Service code Detection System.
Loss of power on circuits.	<ol style="list-style-type: none"> 1. Generator circuit breaker is open. 2. Transfer switch problems. 	<ol style="list-style-type: none"> 1. Reset circuit breaker. 2. See transfer switch manual.
Unit will not exercise.	<ol style="list-style-type: none"> 1. Control board not set to AUTO. 2. Exercise timer not set or set to OFF. 3. Unit date and time not set. 4. Failed battery. 5. 15 Amp fuse missing or blown. 	<ol style="list-style-type: none"> 1. Press AUTO button on control board. 2. Set exercise timer. 3. Set unit date and time. 4. Replace battery. 5. Install (new) 15 Amp fuse. See System Control Board.
Excessive Vibration	<ol style="list-style-type: none"> 1. Loose mechanical fastener. 	<ol style="list-style-type: none"> 1. Check and repair or contact local service facility.
Odor of fuel	<ol style="list-style-type: none"> 1. Fuel leak. 	<ol style="list-style-type: none"> 1. Turn off manual shutoff fuel valve. Contact local service facility.
Utility power returns, unit does not stop	<ol style="list-style-type: none"> 1. Blown fuses in transfer switch. 2. 5 minute minimum runtime not lapsed. 3. Poor wire connection or defective controllers. 	<ol style="list-style-type: none"> 1. Install (new) fuses. 2. Wait 5 minutes. 3. Check, repair or contact local service facility.

California, U.S. EPA, and Briggs & Stratton Corporation Emissions Control Warranty Statement

Your Warranty Rights And Obligations

The California Air Resources Board, U.S. EPA, and Briggs & Stratton (B&S) are pleased to explain the emissions control system warranty on your Model Year 2011-2012 engine/equipment. In California, new small off-road engines and large spark ignited engines less than or equal to 1.0 liter must be designed, built, and equipped to meet the State's stringent anti-smog standards. B&S must warrant the emissions control system on your engine/equipment for the periods of time listed below provided there has been no abuse, neglect, or improper maintenance of your engine or equipment.

Your emissions control system may include parts such as the carburetor or fuel injection system, fuel tank, ignition system, and catalytic converter. Also included may be hoses, belts, connectors, sensors, and other emissions-related assemblies. Where a warrantable condition exists, B&S will repair your engine/equipment at no cost to you including diagnosis, parts, and labor.

Manufacturer's Warranty Coverage:

Small off-road engines and large spark ignited engines less than or equal to 1.0 liter are warranted for four years. If any emissions-related part on your engine/equipment is defective, the part will be repaired or replaced by B&S.

Owner's Warranty Responsibilities:

- As the engine/equipment owner, you are responsible for the performance of the required maintenance listed in your owner's manual. B&S recommends that you retain all receipts covering maintenance on your engine/equipment, but B&S cannot deny warranty solely for the lack of receipts or your failure to ensure the performance of all scheduled maintenance.
- As the engine/equipment owner, you should however be aware that B&S may deny you warranty coverage if your engine/equipment or a part has failed due to abuse, neglect, improper maintenance, or unapproved modifications.
- You are responsible for presenting your engine/equipment to a B&S distribution center, servicing dealer, or other equivalent entity, as applicable, as soon as a problem exists. The warranty repairs should be completed in a reasonable amount of time, not to exceed 30 days. If you have any questions regarding your warranty rights and responsibilities, you should contact Briggs and Stratton at 414 259-5262.

Briggs & Stratton Emissions Control Warranty Provisions

The following are specific provisions relative to your Emissions Control Warranty Coverage. It is in addition to the B&S engine warranty for non-regulated engines found in the Operator's Manual.

1. Warranted Emissions Parts

Coverage under this warranty extends only to the parts listed below (the emissions control systems parts) to the extent these parts were present on the engine purchased.

- a. Fuel Metering System
 - Cold start enrichment system (soft choke)
 - Carburetor and internal parts
 - Fuel pump
 - Fuel line, fuel line fittings, clamps
 - Fuel tank, cap and tether
 - Carbon canister
- b. Air Induction System
 - Air cleaner
 - Intake manifold
 - Purge and vent line
- c. Ignition System
 - Spark plug(s)
 - Magneto ignition system
- d. Catalyst System
 - Catalytic converter
 - Exhaust manifold
 - Air injection system or pulse valve
- e. Miscellaneous Items Used in Above Systems
 - Vacuum, temperature, position, time sensitive valves and switches
 - Connectors and assemblies

2. Length of Coverage

For a period of four years from date of original purchase, B&S warrants to the original purchaser and each subsequent purchaser that the engine is designed, built, and equipped so as to conform with all applicable regulations adopted by the Air Resources Board; that it is free from defects in material and workmanship that could cause the failure of a warranted part; and that it is identical in all material respects to the engine described in the manufacturer's application for certification. The warranty period begins on the date the engine is originally purchased.

The warranty on emissions-related parts is as follows:

- Any warranted part that is not scheduled for replacement as required maintenance in the owner's manual supplied, is warranted for the warranty period stated above. If any such part fails during the period of warranty coverage, the part will be repaired or replaced by B&S at no charge to the owner. Any such part repaired or replaced under the warranty will be warranted for the remaining warranty period.
- Any warranted part that is scheduled only for regular inspection in the owner's manual supplied, is warranted for the warranty period stated above. Any such part repaired or replaced under warranty will be warranted for the remaining warranty period.
- Any warranted part that is scheduled for replacement as required maintenance in the owner's manual supplied, is warranted for the period of time prior to the first scheduled replacement point for that part. If the part fails prior to the first scheduled replacement, the part will be repaired or replaced by B&S at no charge to the owner. Any such part repaired or replaced under warranty will be warranted for the remainder of the period prior to the first scheduled replacement point for the part.
- Add on or modified parts that are not exempted by the Air Resources Board may not be used. The use of any non exempted add on or modified parts by the owner will be grounds for disallowing a warranty claim. The manufacturer will not be liable to warrant failures of warranted parts caused by the use of a non exempted add on or modified part.

3. Consequential Coverage

Coverage shall extend to the failure of any engine components caused by the failure of any warranted emissions parts.

4. Claims and Coverage Exclusions

Warranty claims shall be filed according to the provisions of the B&S engine warranty policy. Warranty coverage does not apply to failures of emissions parts that are not original equipment B&S parts or to parts that fail due to abuse, neglect, or improper maintenance as set forth in the B&S engine warranty policy. B&S is not liable for warranty coverage of failures of emissions parts caused by the use of add-on or modified parts.

Look For Relevant Emissions Durability Period and Air Index Information On Your Small Off-Road Engine Emissions Label

Engines that are certified to meet the California Air Resources Board (CARB) small off-road Emissions Standard must display information regarding the Emissions Durability Period and the Air Index. Briggs & Stratton makes this information available to the consumer on our emissions labels. The engine emissions label will indicate certification information.

The Emissions Durability Period describes the number of hours of actual running time for which the engine is certified to be emissions compliant, assuming proper maintenance in accordance with the Operating & Maintenance Instructions. The following categories are used:

Moderate:

Engine is certified to be emissions compliant for 125 hours of actual engine running time.

Intermediate:

Engine is certified to be emissions compliant for 250 hours of actual engine running time.

Extended:

Engine is certified to be emissions compliant for 500 hours of actual engine running time.

For example, a typical walk-behind lawn mower is used 20 to 25 hours per year. Therefore, the Emissions Durability Period of an engine with an intermediate rating would equate to 10 to 12 years. Briggs & Stratton engines are certified to meet the United States Environmental Protection Agency (USEPA) Phase 2 emissions standards. For Phase 2 certified engines, the Emissions Compliance Period referred to on the Emissions Compliance label indicates the number of operating hours for which the engine has been shown to meet Federal emissions requirements.

For engines less than 225 cc displacement.

Category C = 125 hours

Category B = 250 hours

Category A = 500 hours

For engines of 225 cc or more displacement.

Category C = 250 hours

Category B = 500 hours

Category A = 1000 hours

**BRIGGS & STRATTON POWER PRODUCTS GROUP, LLC
STANDBY GENERATOR OWNER WARRANTY POLICY**

LIMITED WARRANTY

COVERAGE*

Briggs & Stratton Power Products Group, LLC will repair or replace, free of charge, any part(s) of the equipment that is defective in material or workmanship or both. This warranty is effective for the time periods and subject to the conditions stated below. For all warranty service, find the nearest Authorized Service Dealer in our dealer locator map at BRIGGSandSTRATTON.COM.

THERE IS NO OTHER EXPRESS WARRANTY. WARRANTY COVERAGE FOR IMPLIED WARRANTIES, INCLUDING THOSE OF MERCHANTABILITY AND FITNESS FOR A PARTICULAR PURPOSE, ARE LIMITED TO THE WARRANTY PERIOD SET FORTH BELOW, OR TO THE EXTENT PERMITTED BY LAW. LIABILITY FOR INCIDENTAL OR CONSEQUENTIAL DAMAGES ARE EXCLUDED TO THE EXTENT PERMITTED BY LAW.

Some states or countries do not allow limitations on how long an implied warranty lasts, and some states or countries do not allow the exclusion or limitation of incidental or consequential damages, so the above limitation and/or the above exclusion may not apply to you. This warranty gives you specific legal rights and you may also have other rights which vary from state to state or country to country.*

* In Australia - Our goods come with guarantees that cannot be excluded under the Australian Consumer Law. You are entitled to a replacement or refund for a major failure and for compensation for any other reasonably foreseeable loss or damage. You are also entitled to have the goods repaired or replaced if the goods fail to be of acceptable quality and the failure does not amount to a major failure. For warranty service, find the nearest Authorized Service Dealer in our dealer locator map at BRIGGSandSTRATTON.COM, or by calling 1300 274 447, or by emailing or writing to salesenquires@briggsandstratton.com.au, Briggs & Stratton Australia Pty Ltd, 1 Moorebank Avenue, NSW, Australia, 2170.

WARRANTY PERIOD

United States and Canada	
PARTS	4 years †
LABOR	4 years †
TRAVEL	4 years † ‡

† Enclosure is warranted against surface rust and corrosion for the first year of the warranty period. Surface rust and corrosion is defined as any rust or corrosion that has penetrated the paint but has not penetrated through the metal substructure.

Enclosure is warranted against rust-through for the first two years of the warranty period. Rust-through is defined as rust or corrosion that has penetrated completely through the paint and metal substructure.

† Accessory parts have a separate warranty. Refer to the warranty included with the accessory part at purchase.

‡ Travel expenses are reimbursed as specified under the Briggs & Stratton Warranty Guidelines document to authorized Briggs & Stratton dealers for performing applicable warranty repair work.

International (Outside US and Canada)	
PARTS	3 years or 1000 hours †
LABOR	3 years or 1000 hours †
TRAVEL	3 years or 1000 hours † ‡

The warranty period begins on the date of purchase by the first retail or commercial customer. **In order to ensure prompt and complete warranty coverage, REGISTER YOUR PRODUCT IN ONE OF THREE WAYS:**

1. **ONLINE AT BRIGGSANDSTRATTON.COM, OR**
2. **MAIL THE COMPLETED REGISTRATION CARD, OR**
3. **CALL 888-575-8226**

SAVE YOUR PROOF OF PURCHASE RECEIPT. IF YOU DO NOT PROVIDE PROOF OF THE INITIAL PURCHASE DATE AT THE TIME WARRANTY SERVICE IS REQUESTED, THE MANUFACTURING DATE OF THE PRODUCT WILL BE USED TO DETERMINE THE WARRANTY PERIOD.

Registration is not required to obtain warranty service.

Warranty terms continue on next page.

ABOUT YOUR WARRANTY

We welcome warranty repair and apologize to you for being inconvenienced. Any authorized service dealer may perform warranty repairs. Most warranty repairs are handled routinely, but sometimes requests for warranty service may not be appropriate. For example, warranty service would not apply if equipment damage occurred because of misuse, lack of routine maintenance, and shipping, handling, warehousing or improper installation. Similarly, warranty coverage will not be provided if the manufacturing date or serial number(s) on the equipment has been removed or the equipment has been altered or modified. During the warranty period, the authorized service dealer, at its option, will repair or replace any part that, upon examination, is found to be defective under normal use and service. This warranty will not cover the following repairs due to:

1. **Normal Wear and Maintenance:** Outdoor Power Equipment and engines, like all mechanical devices, need periodic parts and service to perform well. This warranty does not cover repair when normal use has exhausted the life of a part or the equipment. Typical wear items include engine oil, oil gauges, o-rings, filters, fuses, spark plugs, anti-freeze, starting batteries, etc. Normal maintenance such as: adjustments, loose or leaking clamps or connections, installation or start-up operations, fuel system cleaning and obstruction due to contamination.
2. **Installation, Operation, Maintenance and Storage:** This warranty does not apply to equipment or parts that have been subjected to improper or unauthorized installation or alteration and modification, abuse, misuse, negligence, accident, overloading, overspeeding, improper maintenance, repair or storage so as to adversely affect its performance and reliability.
3. Enclosure is not warranted for surface rust or corrosion or complete rust-through that may result due to improper installation, damage to painted surfaces that compromise the paint's corrosion prevention properties, or if the unit is installed in environments that expose the generator to high levels of corrosive agents.

This warranty will not cover equipment used in:

1. Equipment used for prime power. For purposes of this warranty, Prime Power is defined as an application in which the generator is a source of power where no electrical power service is available from the UTILITY POWER GRID. If no UTILITY power is available, the generator is considered the prime power source.
2. Used, reconditioned, and demonstration equipment, or rental equipment. Rental use means any use of this product in a temporary or semi-permanently installed rental application. Once equipment has experienced rental use, it shall thereafter be considered rental equipment for purposes of this warranty.
3. Equipment used in life support applications.
4. Failures caused by any force majeure event or external force beyond the manufacturer's control or Act of God such as, but not limited to freezing, theft, fire, collision, wars or riots, hail, water or flood damage, tornados, hurricanes, or terrorist acts.
5. Use of non-original parts and non-authorized installation or warranty service by unauthorized dealers.
6. Rodent and/or insect infestations.

This warranty also does not include:

1. Any and all expenses incurred investigating performance complaints unless defective Briggs & Stratton materials and/or workmanship were the direct cause of the problem.
2. The cost of rental equipment used while warranty repairs are being performed (i.e., generators, pumps, etc.)

Warranty terms effective October 1, 2013.

Generator Specifications

16k Watt
 Rated Maximum Load Current* (at 25°C/77°F, LP)*:
 at 240 Volts 66.8 Amps
 Rated AC Voltage 120/240 Volts
 Phase Single phase
 Rated Frequency 60 Hertz
 Generator Breaker 80 Amp
 Normal Operating Range ... -25°F (-28.8°C) to 104°F (40°C)
 Output Sound Level 69.1 dB(A) at 23 ft. (7 m) at normal load
 Shipping Weight 565 lb (256 kg)

* Natural gas rating will depend on specific fuel but typical derates are between 10 to 20% off the LP gas rating.

20k Watt
 Rated Maximum Load Current* (at 25°C/77°F, LP)*:
 at 240 Volts 83.3 Amps
 Rated AC Voltage 120/240 Volts
 Phase Single phase
 Rated Frequency 60 Hertz
 Generator Breaker 100 Amp
 Normal Operating Range ... -25°F (-28.8°C) to 104°F (40°C)
 Output Sound Level 69.1 dB(A) at 23 ft. (7 m) at normal load
 Shipping Weight 580 lb (263 kg)

* Natural gas rating will depend on specific fuel but typical derates are between 10 to 20% off the LP gas rating.

* Normal load = 5kW (1/4 load)

Engine Specifications

Displacement 60.60 ci. (993 cc)
 Bore 3.405 in. (86.5 mm)
 Stroke 3.366 in. (85.5 mm)
 Spark Plug Gap 0.020 in. (0.51 mm)
 Spark Plug Torque 180 lb-in. (20 Nm)
 Armature Air Gap 0.005 - 0.008 in. (0.13 - 0.20 mm)
 Intake Valve Clearance 0.004 - 0.006 in. (0.10 - 0.15 mm)
 Exhaust Valve Clearance . 0.004 - 0.006 in. (0.10 - 0.15 mm)
 Oil Type 5W30 Synthetic
 Oil Capacity (with filter) 78 - 80 oz. (2.3 - 2.4 L)
 Engine End Cover Bolt 220 lb-in (25Nm)

Displacement 60.60 ci. (993 cc)
 Bore 3.405 in. (86.5 mm)
 Stroke 3.366 in. (85.5 mm)
 Spark Plug Gap 0.020 in. (0.51 mm)
 Spark Plug Torque 180 lb-in. (20 Nm)
 Armature Air Gap 0.005 - 0.008 in. (0.13 - 0.20 mm)
 Intake Valve Clearance 0.004 - 0.006 in. (0.10 - 0.15 mm)
 Exhaust Valve Clearance . 0.004 - 0.006 in. (0.10 - 0.15 mm)
 Oil Type 5W30 Synthetic
 Oil Capacity (with filter) 78 - 80 oz. (2.3 - 2.4 L)
 Engine End Cover Bolt 220 lb-in (25Nm)

Common Service Parts

Air Filter 841856
 Oil -- Synthetic 100074
 Oil Filter 842921
 Resistor Spark Plug 692051
 Long Life Platinum Spark Plug 5066
 Maintenance Kit 6036

Air Filter 841856
 Oil -- Synthetic 100074
 Oil Filter 842921
 Resistor Spark Plug 692051
 Long Life Platinum Spark Plug 5066
 Maintenance Kit 6036

*This generator is rated in accordance with UL (Underwriters Laboratories) 2200 (stationary engine generator assemblies) to CSA (Canadian Standards Association) standard C22.2 No. 100-04 (motors and generators).

Power Rating

The gross power rating for individual gas engine models is labeled in accordance with SAE (Society of Automotive Engineers) code J1940 (Small Engine Power & Torque Rating Procedure), and rating performance has been obtained and corrected in accordance with SAE J1995 (Revision 2002-05). Torque values are derived at 3060 RPM; horsepower values are derived at 3600 RPM. Net power values are taken with exhaust and air cleaner installed whereas gross power values are collected without these attachments. Actual gross engine power will be higher than net engine power and is affected by, among other things, ambient operating conditions and engine-to-engine variability. Given the wide array of products on which engines are placed, the gas engine may not develop the rated gross power when used in a given piece of power equipment. This difference is due to a variety of factors including, but not limited to, the variety of engine components (air cleaner, exhaust, charging, cooling, carburetor, fuel pump, etc.), application limitations, ambient operating conditions (temperature, humidity, altitude), and engine-to-engine variability. Due to manufacturing and capacity limitations, Briggs & Stratton may substitute an engine of higher rated power for this Series engine.

15k Watt (California Only)

Rated Maximum Load Current* (at 25°C/77°F, LP)*:

at 240 Volts 62.5 Amps
Rated AC Voltage 120/240 Volts
Phase Single phase
Rated Frequency 60 Hertz
Generator Breaker 80 Amp
Normal Operating Range ... -25°F (-28.8°C) to 104°F (40°C)
Output Sound Level 69.1 dB(A) at 23 ft. (7 m) at normal load
Shipping Weight 565 lb (256 kg)

* Natural gas rating will depend on specific fuel but typical derates are between 10 to 20% off the LP gas rating.

Displacement 60.60 ci. (993 cc)
Bore 3.405 in. (86.5 mm)
Stroke 3.366 in. (85.5 mm)
Spark Plug Gap 0.020 in. (0.51 mm)
Spark Plug Torque 180 lb-in. (20 Nm)
Armature Air Gap 0.005 - 0.008 in. (0.13 - 0.20 mm)
Intake Valve Clearance 0.004 - 0.006 in. (0.10 - 0.15 mm)
Exhaust Valve Clearance . 0.004 - 0.006 in. (0.10 - 0.15 mm)
Oil Type 5W30 Synthetic
Oil Capacity (with filter) 78 - 80 oz. (2.3 - 2.4 L)
Engine End Cover Bolt 220 lb-in (25Nm)

Air Filter	842856
Oil -- Synthetic	100074
Oil Filter	842921
Resistor Spark Plug	692051
Long Life Platinum Spark Plug	5066
Maintenance Kit	6036

Intentionally Left Blank

Not for
Reproduction